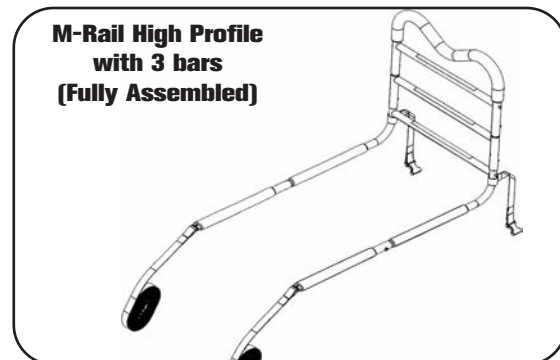
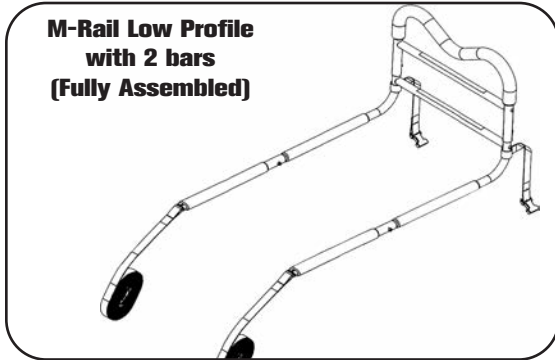


M-Rail[®]

Installation Instructions



CAUTIONS and WARNINGS

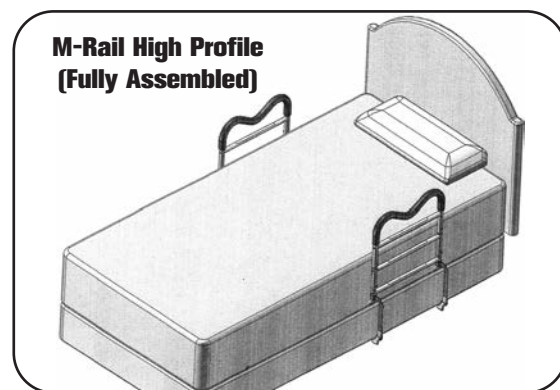
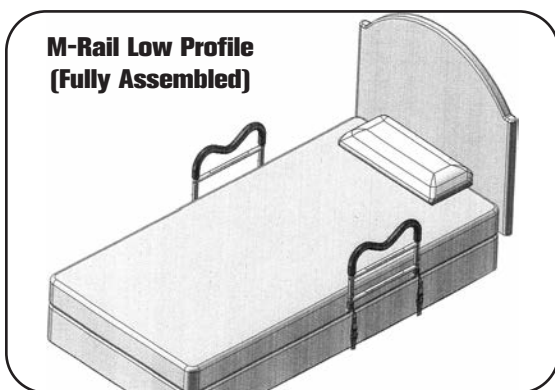
- Please read these instructions carefully before installing and using the M-Rail.
- Please read the Warning Labels attached to the M-Rail parts.
- The M-Rail is an assistive balance handrail for beds.
 - It is to assist persons who are mobile, but require some assistance to move or sit up in bed.
 - It also helps with balance when the person gets in and out of bed.
 - It further helps the person with balance when standing beside the bed or during transfers by the bed.
- The M-Rail is not intended to support the full weight of a person and is suitable for people who weigh up to 300 pounds (135 kg).
- Narrow beds may tilt if fully body weight is applied.
- Suitable for all home style beds with box springs.
- Maybe used with some types of Care, Institutional and Hospital style adjustable beds.



It is very important that the M-Rail is not attached to any part of a Care, Institutional or Hospital bed that can move or be adjusted, and it is very important that the M-Rail attachment straps are not touching any part of the bed that moves.

WARNING: ENTRAPMENT BETWEEN AN ASSISTIVE BEDSIDE HANDRAIL DEVICE AND A MATTRESS CAN BE SERIOUS AND POTENTIALLY LIFE -THREATENING.

- Entrapment can occur when there is a gap between the side of the mattress and the assistive handrail.
- It is possible for a person's head, neck, arm(s), leg(s) or body to become wedged between the side of the mattress and the assistive handrail horizontal cross bars or vertical side bars.
- The mattress must be tight against the assistive handrail, with no gaps at all times. This should be checked frequently - at least daily.
- For added safety we recommend installing two M-Rails, one on each side of the bed, to assist with keeping the mattress in place, with no gaps.
- The horizontal cross bars must be used at all times.



CAUTION: If the bed base is wider than the mattress, two M-Rails will NOT work.

- The M-Rail is NOT intended for people with poor mobility, or for people who are permanently bedridden. Extra safety measures and precautions must be used with higher risk patients.
- THE M-Rail IS NOT TO BE USED AS A RESTRAINT and NOT TO BE USED TO PREVENT USERS FROM FALLING OUT OF BED.

* Read "A Guide to Bed Safety" Find this on Google.

- If you have any questions please contact Customer Service at info@hartmobility.com www.hartmobility.com

Information in this document is subject to change without notice

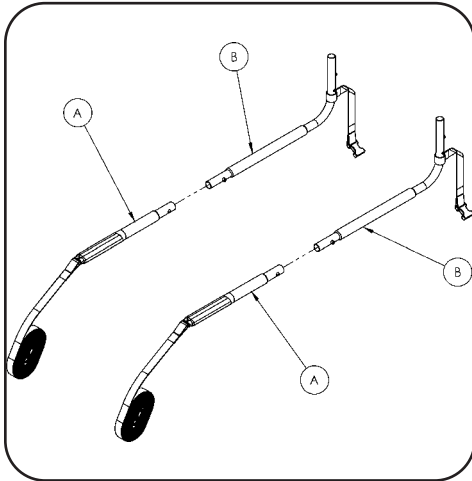
M-Rail[®]

Installation Instructions

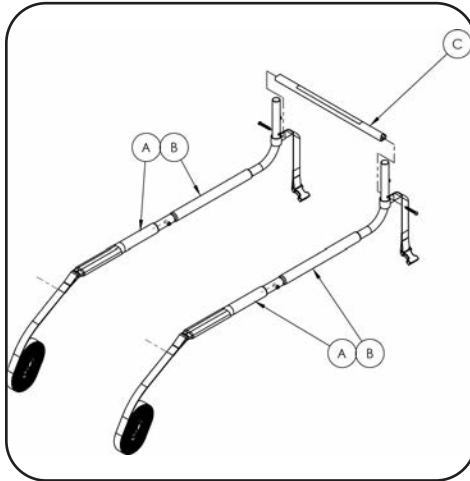
Preparing the M-Rail for assembly:

1. Open the carton and remove all parts. Remove the plastic coverings and dispose of safely away from children and infants.
2. The M-Rail can be used with either two (2) Cross Bars or three (3) Cross Bars. By choosing either the two (2) or three (3) Cross Bar option you can adjust the M-Rail height relative to the floor and to suit the user's preference. For thick mattresses we recommend that you use 3 Cross Bars. If you choose to use 2 Cross Bars, discard part D (H Bar).

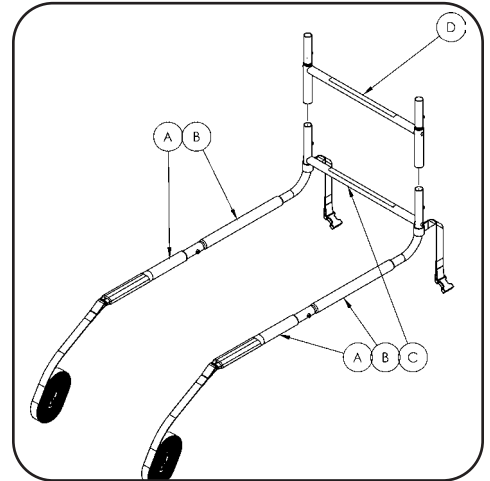
Assembling the M-Rail:



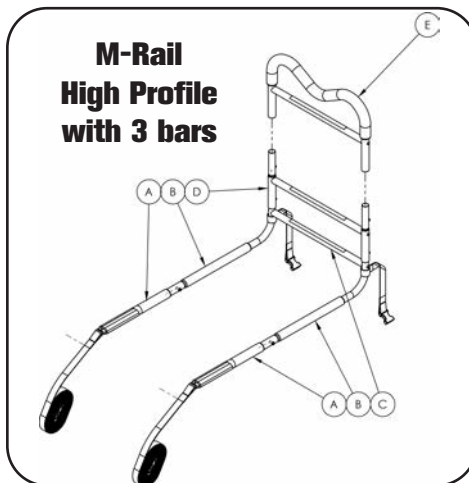
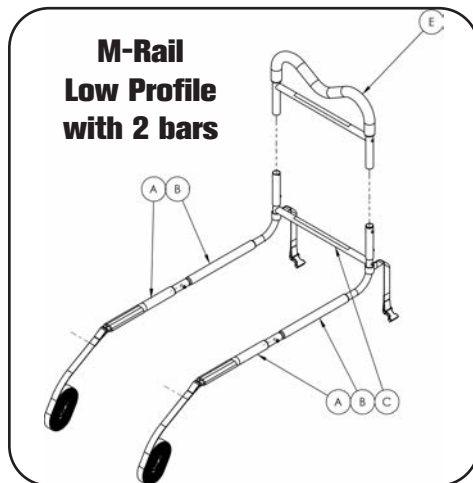
3. Snap-lock part A into part B. Repeat on other side.



4. Screw part C onto parts B. Leave screws loose.



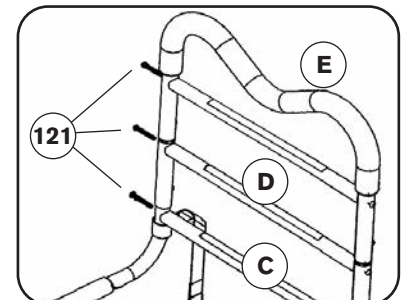
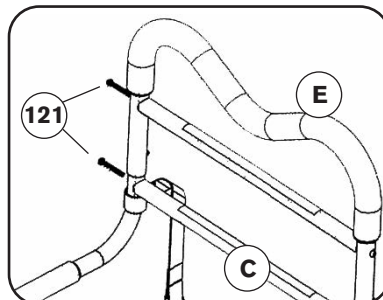
5. If you are using part D (H Bar), snap-lock part D onto part B.



6. Lastly, snap-lock part E onto either part D or part B. Make sure that all the Snap-Lock Spring Buttons are in place.

INSTALLER QUICK TIP:

If using part D and you experience any difficulty when you snap-lock part E into place onto part D, loosen the screws 121 on part D using the allen key provided.



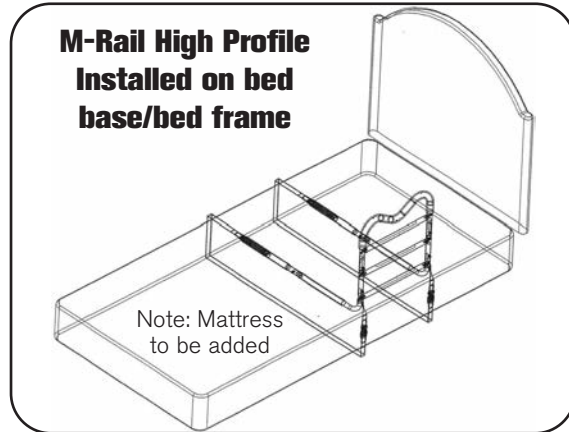
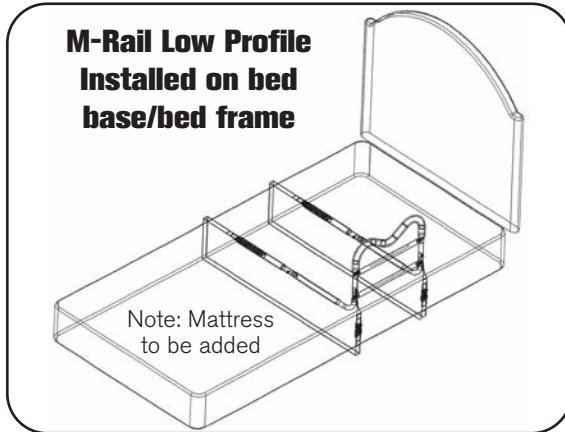
7. Adjustments may be needed to tighten or loosen part D (H Bar) for proper fit. You are now ready to install the M-Rail onto your bed.

M-Rail[®]

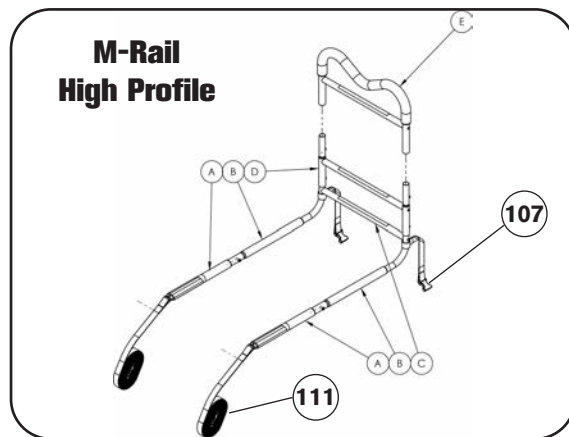
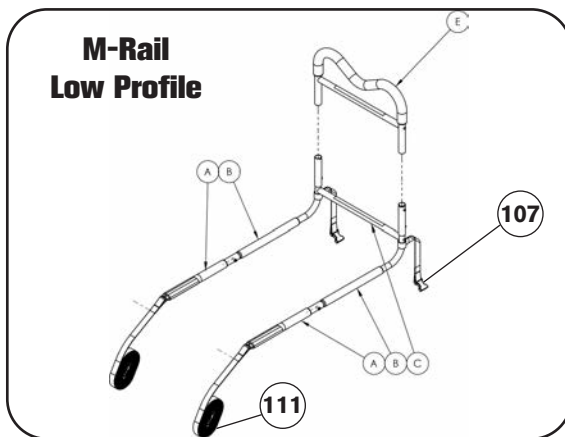
Installation Instructions

Installing the M-Rail assembly onto the bed:

INSTALLER QUICK TIP: You will find the installation easier if you remove the mattress.



8. Slide the assembled M-Rail between the mattress and the bed base or bed frame support.



9. Run the Long Webbing (part 111) across the base/bed frame and underneath, back to the M-Rail.
10. Feed the Long Webbing (part 111) through the buckle (part 107) at the desired length. Close the buckle (part 107) to secure the strap. Repeat on other side.
11. Put the mattress back on the bed if you removed it.
12. Lie on the bed and position the M-Rail where it is most comfortable for you.
13. Tighten the two webbing straps securely against the base or bed frame, ensuring that the webbing straps are straight and parallel.
14. Loop and double tie the loose end of the Long Webbing (part 111) directly underneath the buckle (part 107). Cut off the excess webbing of Long Webbing (part 111) to prevent tripping hazards.

