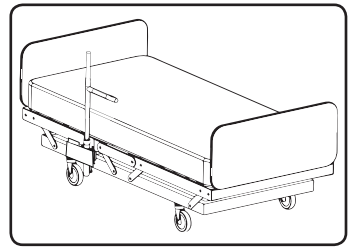


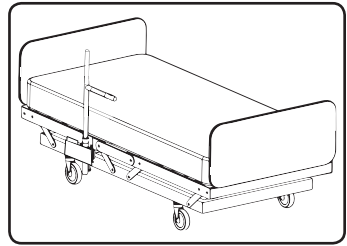
ER100 Bedside  
Balance Assist Rail



**Installation Instructions  
& Schematics**



## **ER100 BEDSIDE BALANCE ASSIST RAIL**



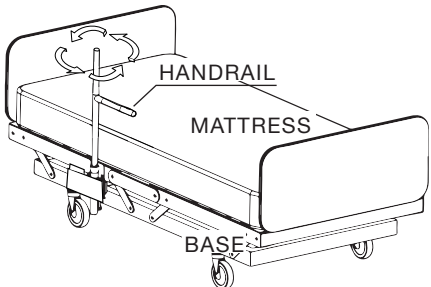
### **▲ WARNING & CAUTIONS**

- Please read these Instructions carefully before installing and using your ER100. Please read the Warning and Caution labels attached to the ER100 product. Incorrect Installation or incorrect use of ER100 can result in serious injury or death.
- The ER100 is an Bedside Balance Assist Rail and must not be used for any other purpose. ER100 is to assist people in moving in bed, helping with balance when getting into and out of bed and to assist with balance when standing beside the bed or during transfers near the bed.
- The ER100 is not to be used as a restraint, or to prevent people from falling out of bed. There are correctly designed Bed Rails for these purposes.
- ENTRAPMENT: Entrapment describes a situation where a person's neck, head, chest or torso can get trapped in the space between the mattress and horizontal bar or between the vertical bar and the side of the mattress. The mattress must be tight against the vertical bar and should be checked daily. A safer way to prevent gaps between the mattress and the vertical bar is to install two ER100s, one on either side of the mattress. Extra safety measures and precautions should be used with high-risk people.
- The ER100 is not intended to support the full weight of the user and is suitable for people weighing up to 300 lbs (135kgs)
- Read the FDA's "A Guide to Bed Safety" This can be found on Google.
- The contents of the box may not be exactly as shown.
- If you have any questions please contact Customer Care at [info@hartmobility.com](mailto:info@hartmobility.com)
- For Warranty details please visit [www.hartmobility.com](http://www.hartmobility.com)

## USING THE ER100

The ER100 horizontal bar can rotate 360°, locking safely and firmly in four 90° positions.

### 1. Changing the direction of the horizontal bar.

	<p>To rotate the horizontal bar to another position:</p> <ol style="list-style-type: none"><li>Grip the ER100 and pull up. Turn the ER100 to the new desired position.</li><li>When the ER100 is in the new position let it move back down into the new position.</li><li>Try moving the horizontal bar from side to side to make sure that the ER100 is locked into the new position.</li></ol>
--	--

### 2. Entering and Exiting the bed.

To enter or exit the bed hold onto both the vertical bar and the horizontal bar. It will be easier if you sit on the bed beside the ER100 away from the head of the bed.

### 3. Using the ER100 to sit up or reposition on the bed.

The ER100 can be used to sit up, move, reposition or lay down on the bed. Swivel the ER100 to the most comfortable position for you and grab it to assist you when you are moving.

### 4. Maintenance:

- Regular maintenance and cleaning will improve the safety and durability of your ER100.
- Periodically make sure that all the bolts are tight.
- Always make sure that the mattress is tight against the vertical post.

# ER100 ASSEMBLY INSTRUCTIONS FOR REGULAR HOME STYLE BEDS ER100

FITS HOMESTYLE BED FRAMES  
(1" - 1-3/4") IN HEIGHT

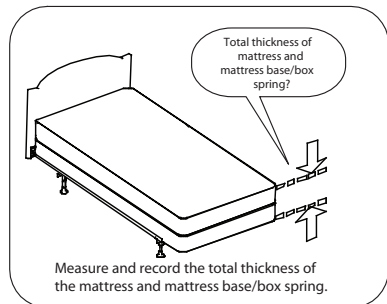
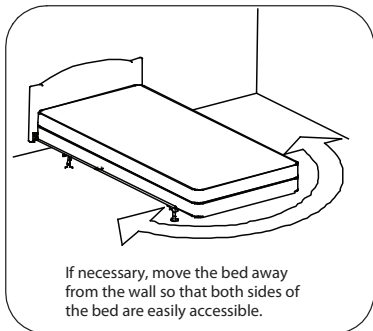
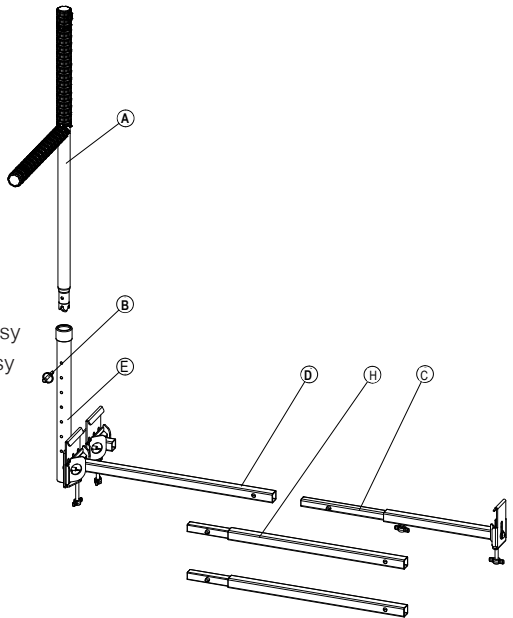


Regular Home Style beds have  
ANGLE IRON FRAMES that are  
horizontal and flat at the bottom.

Please read the following instructions before you start to assemble the bedside handrail. This document contains important safety information.

## KIT CONTENTS

Item	Qty.	Description
H	2	Extension Tubes
E	1	Post Assy
D	1	Horizontal Front Clamp Tube Assy
C	1	Horizontal Rear Clamp Tuve Assy
B	1	Height Adjusting Ball Pin
A	1	Handle

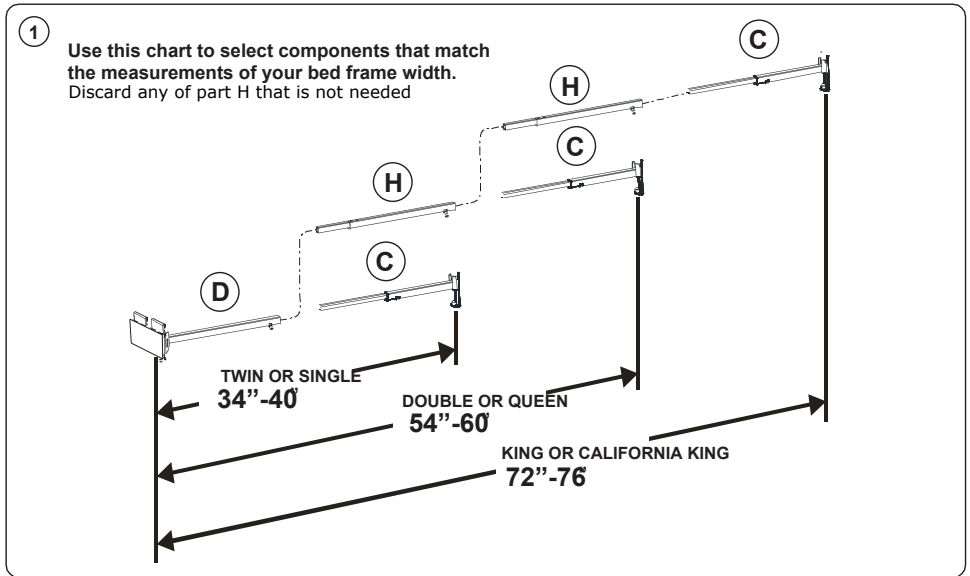


**STEP 1:** Unpack the Kit and identify the pieces.

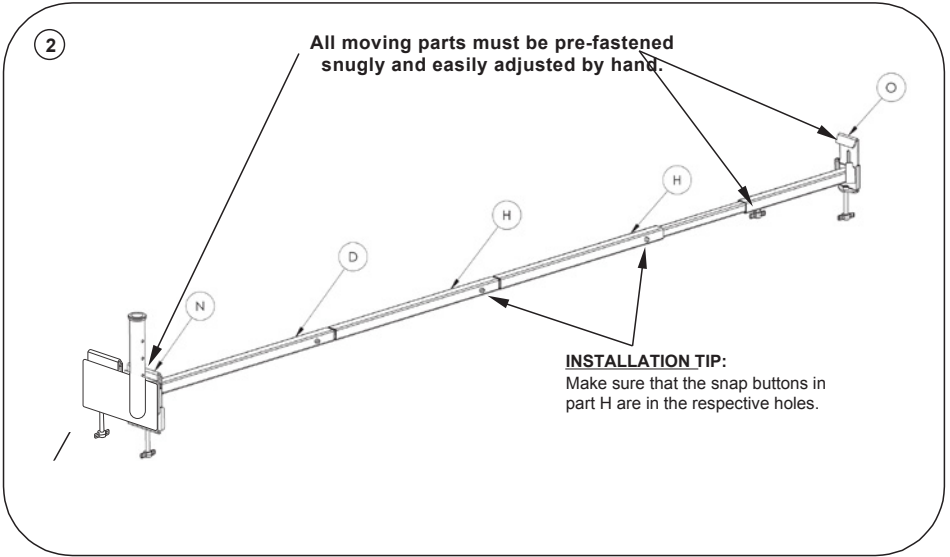
**STEP 2:** Remove the two screws from assembly D and attach this assembly to assembly c, using the same two screws. Tighten these screws.

Now, follow the steps in the Illustrations below

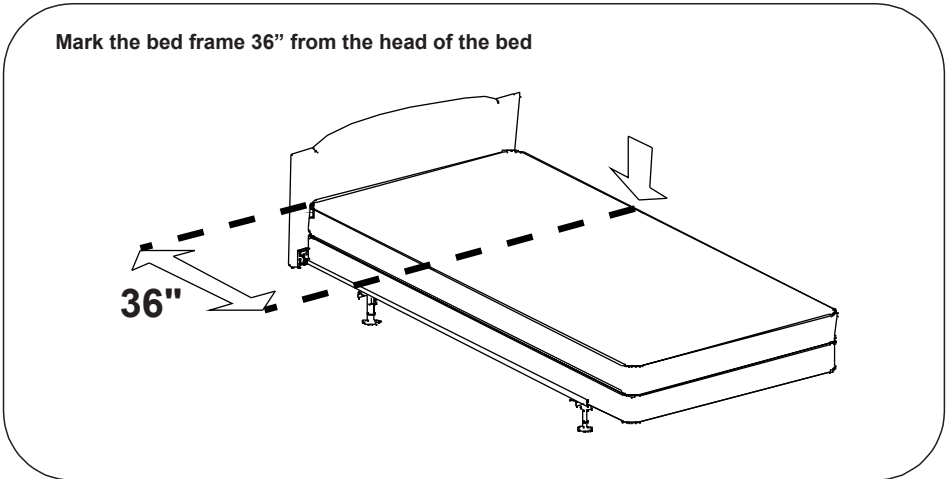
## Pick Frame Width



## Pre-Assemble These Parts

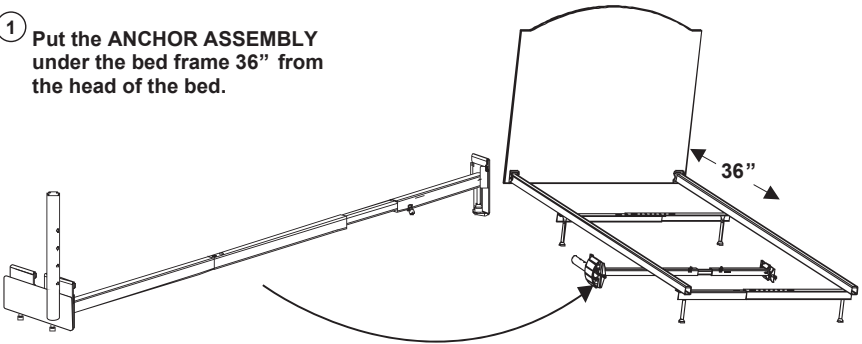


## Select Installation Position

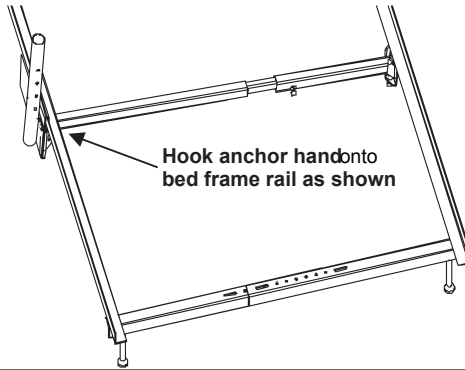


## Fitting ER100 Base to Frame

- ① Put the ANCHOR ASSEMBLY under the bed frame 36" from the head of the bed.

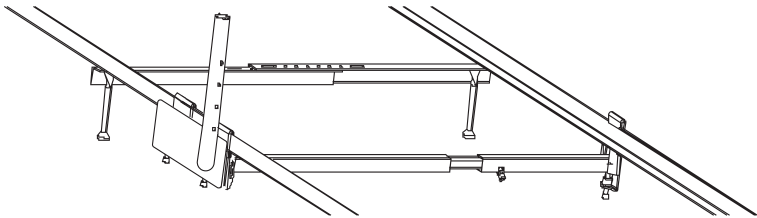


②



Hook anchor hand onto  
bed frame rail as shown

③



Take opposite end and hook it onto the bed frame.  
Proceed to tightening bolts in step 4.





**We don't  
bite, so  
contact us.**

---

[care@hartmobility.com](mailto:care@hartmobility.com)

[www.hartmobility.com](http://www.hartmobility.com)

1(800) 998-0774