

M-Rail

Model MR400N

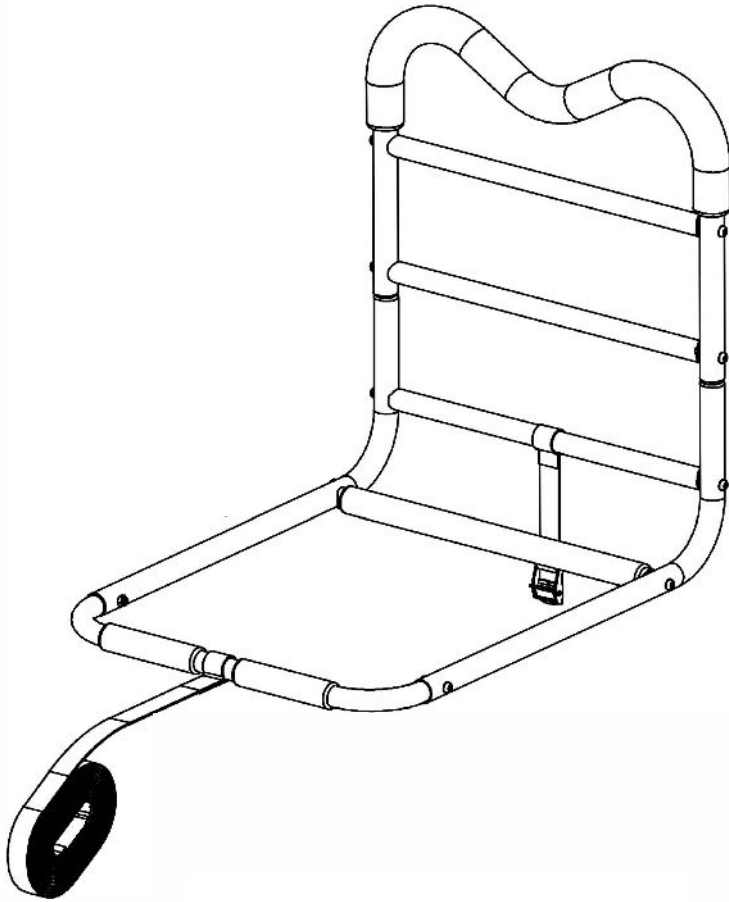


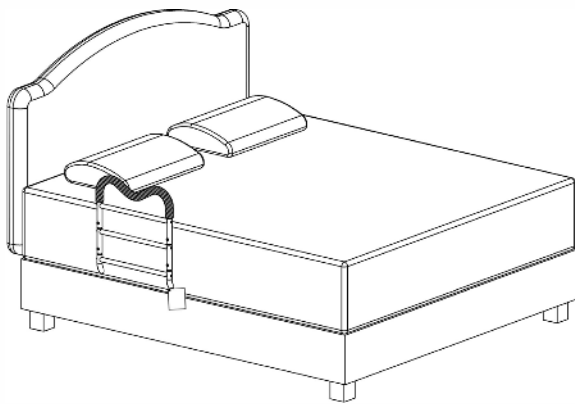
Table of Contents

- Warnings and Cautions for APBRs (3 Pages)
- Entrapment Prevention Information (2 Pages)
- MR400N Installation Instruction (3 Pages)

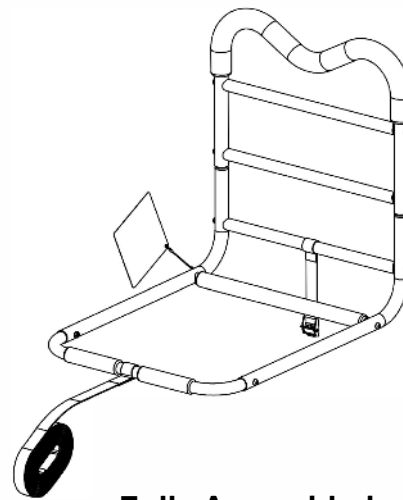
Specifications:

- Product Name: M-Rail
- Product#: MR400N
- Maximum User Weight: 350lbs (158kg)

ASSEMBLY & INSTALLATION



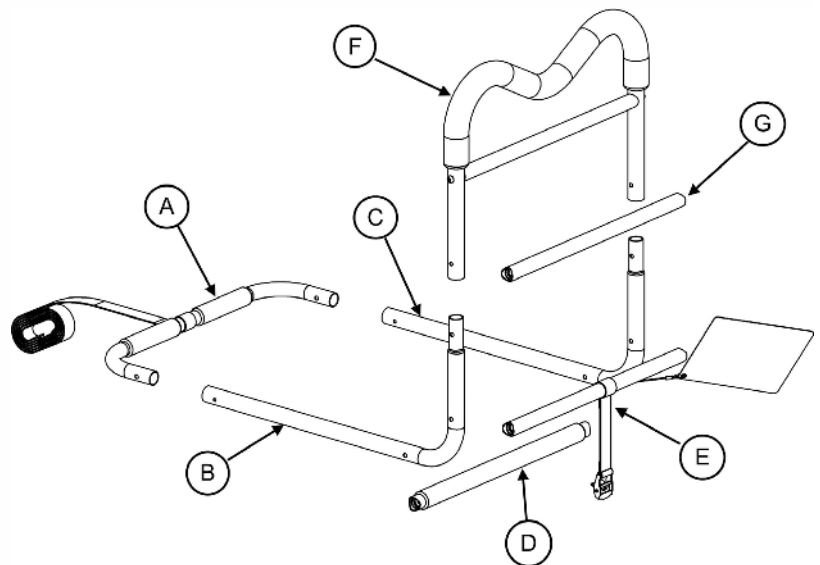
Bed Base and Box Spring if used



Fully Assembled

KIT CONTENTS

- A. 1 x Cross Tube with Long Strap
- B. 1 x L Tube left
- C. 1 x L Tube right
- D. 1 x Cross Tube with Gripper
- E. 1 x Cross Tube with Short Strap
- F. 1 x M-Rail Hand Rail
- G. 1 x Cross Tube
- H. 2 x 1- $\frac{1}{4}$ inch Screws with Nuts
- I. 8 x 1- $\frac{3}{4}$ inch Screws
- J. 1 x Hex Key
- K. 1 x Wrench



Product Information and Specifications

Product Name: M-Rail MR400N

Maximum User Weight: 350 lbs (158 kgs.) **IMPORTANT:** NOT intended to support the full weight of the user.

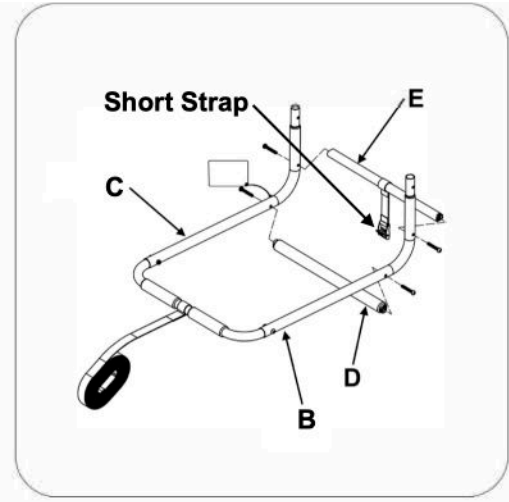
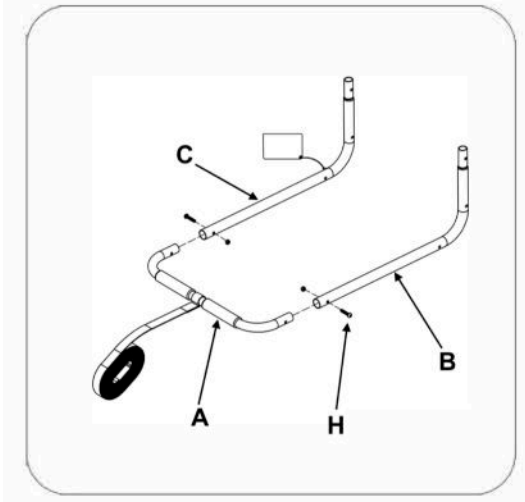
Cleaning: Use a damp cloth with soap and water or a mild household cleaner. Wipe clean and dry before using.

Installer Quick Tip:

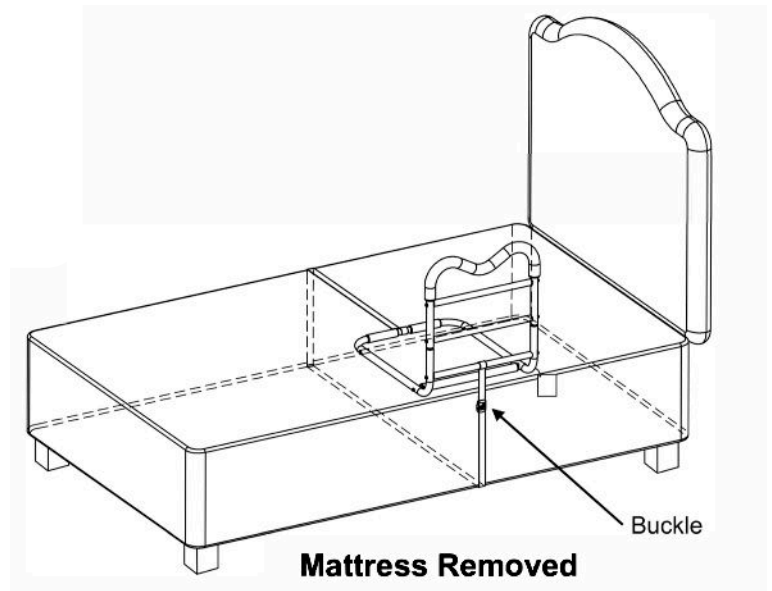
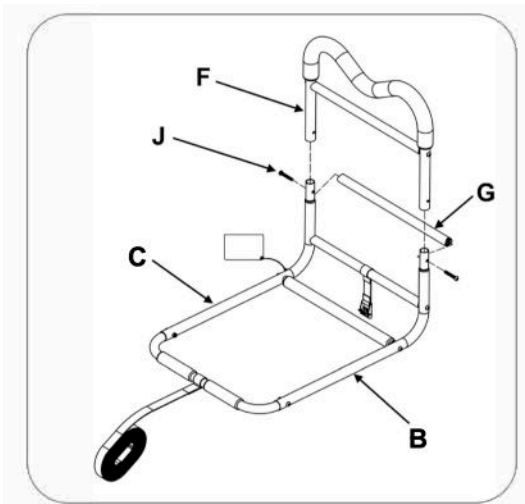
It is easier to assemble all the parts if you leave the screws a little loose until you have put all the parts together. Remember to tighten all screws when fully assembled.

STEPS:

1. Open the carton and remove all parts. Remove all coverings and dispose of safely away from children and infants.
2. Screw Part A to Parts B & C.
3. Screw Parts D & E to Parts B & C. Make sure that the Short Strap is on Part E.



4. Screw Parts F & G to Parts B & C.



5. Remove the mattress.
6. With the mattress removed, sit the assembled SafetyGrip Hand Rail on top of the bed base and/or box spring if the bed has a box spring.
7. Run the long strap on Part A across the top of the bed frame and/or box spring to the other side of the bed. Then go underneath the bed base and back to the SafetyGrip Hand Rail.
8. Position the SafetyGrip Hand Rail away from the head board where it is most comfortable to use.

IMPORTANT: the distance from the headboard, and footboard if the bed has one, to the closest part of the SafetyGrip Bed Rail must be more than 12 ½ inches.

9. Feed the strap through the buckle on the short strap. Tighten the strap securely and close the buckle to secure the strap.
10. Put the mattress back onto the bed.

