

BEDSIDE HANDRAIL WITH SAFETYGRIP®

SG460

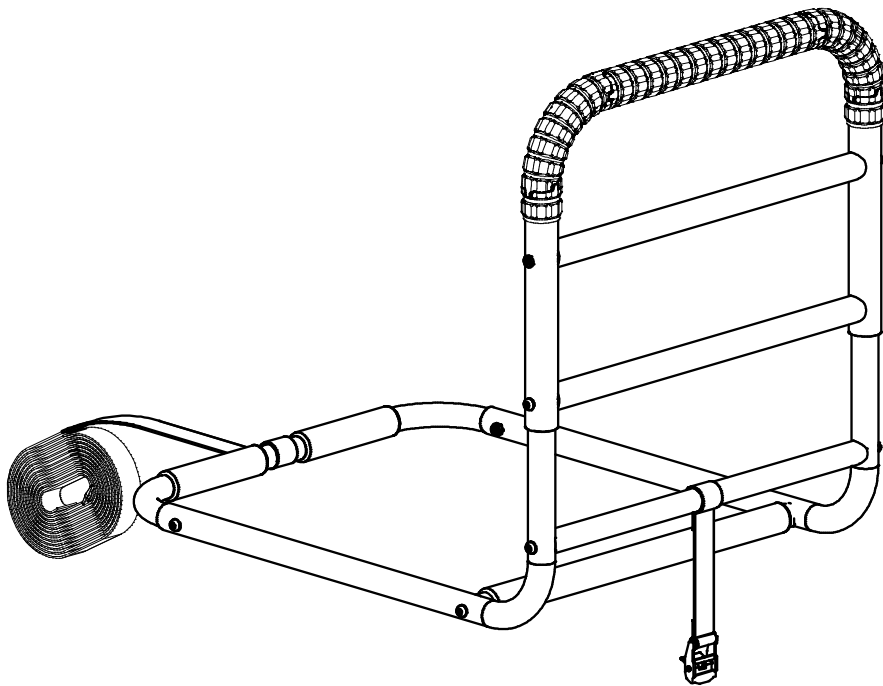


Table of Contents

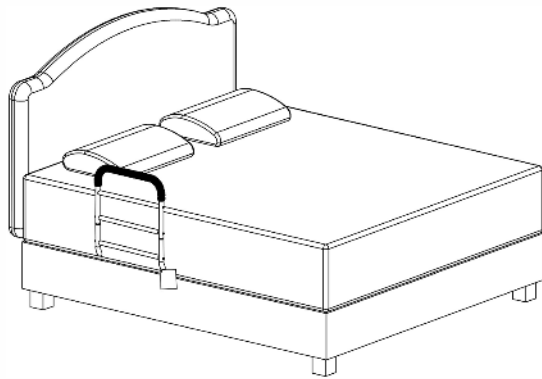
- Warnings and Cautions for APBRs (3 Pages)
- Entrapment Prevention Information (2 Pages)
- SG460 Installation Instruction (4 Pages)

Specifications:

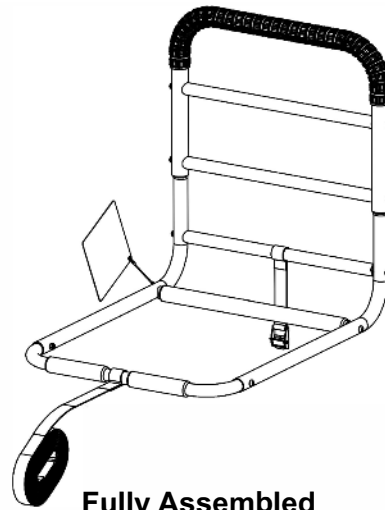
- Product Name: MoveEasy® Hand Rail
- Product#: SG460
- Maximum User Weight: 400lbs (180kg)



ASSEMBLY & INSTALLATION



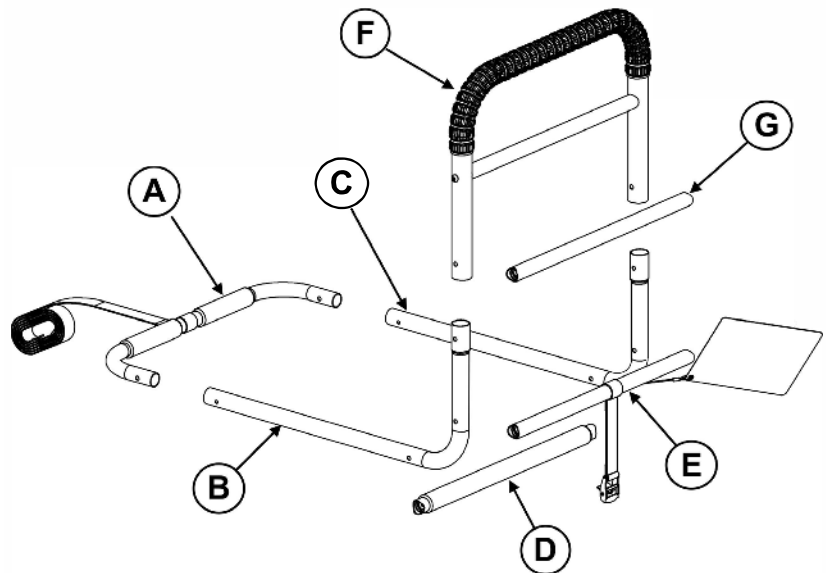
Bed Base and Box Spring if used



Fully Assembled

KIT CONTENTS

- A. 1 x Cross Tube with Long Strap
- B. 1 x L Tube left
- C. 1 x L Tube right
- D. 1 x Cross Tube with Gripper
- E. 1 x Cross Tube with Short Strap
- F. 1 x SafetyGrip® Hand Rail
- G. 1 x Cross Tube
- H. 2 x 1-¼ inch Screws
- I. 8 x 1-¾ inch Screws
- J. 1 x Hex Key
- K. 1 x Wrench



Product Information and Specifications

Product Name: SG460 MoveEasy® Hand Rail

Maximum User Weight: 400 lbs (180 kgs.) **IMPORTANT:** NOT intended to support the full weight of the user.

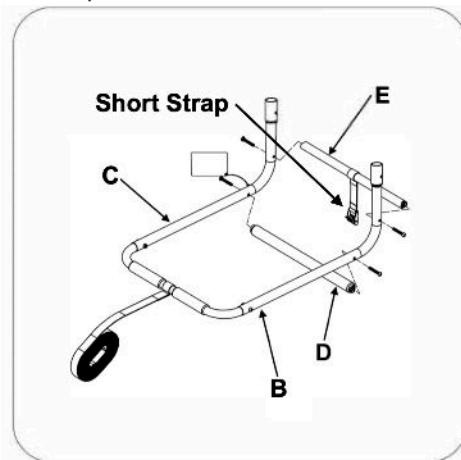
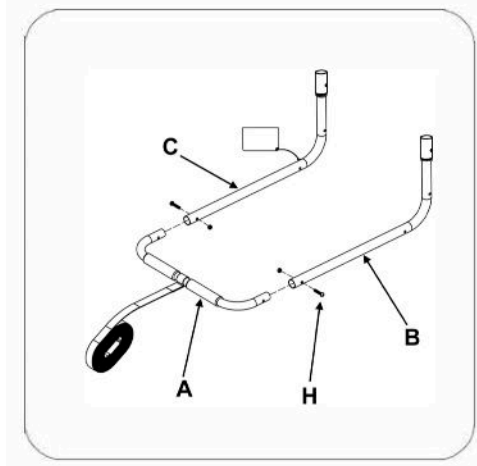
Cleaning: Use a damp cloth with soap and water or a mild household cleaner. Wipe clean and dry before using.

Installer Quick Tip:

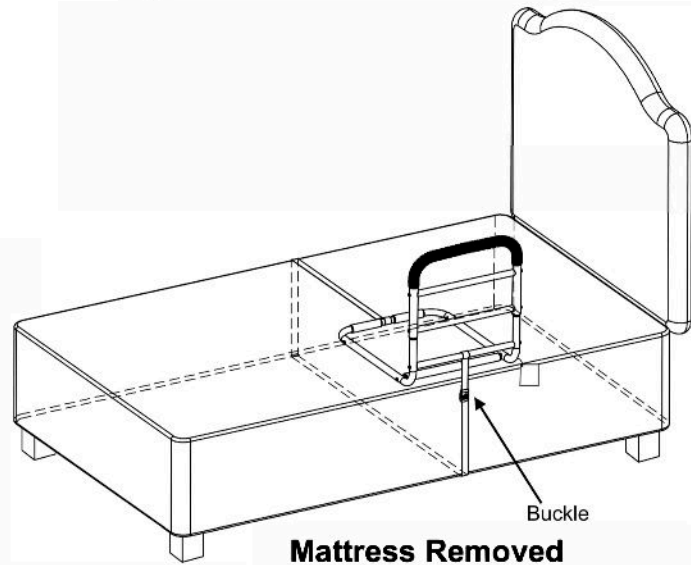
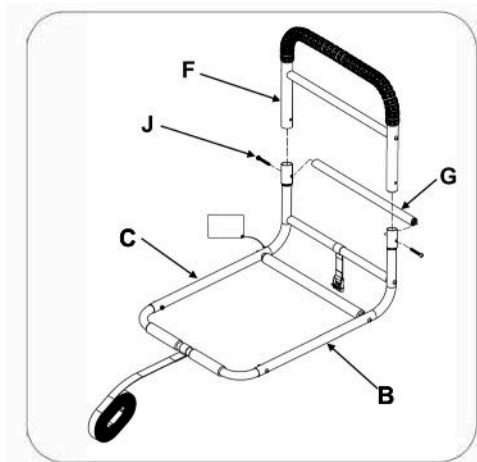
It is easier to assemble all the parts if you leave the screws a little loose until you have put all the parts together. Remember to tighten all screws when fully assembled.

STEPS:

1. Open the carton and remove all parts. Remove all coverings and dispose of safely away from children and infants.
2. Screw Part A to Parts B & C.
3. Screw Parts D & E to Parts B & C. Make sure that the Short Strap is on Part E.



4. Screw Parts F & G to Parts B & C.



5. Remove the mattress.
6. With the mattress removed, sit the assembled SafetyGrip Hand Rail on top of the bed base and/or box spring if the bed has a box spring.
7. Run the long strap on Part A across the top of the bed frame and/or box spring to the other side of the bed. Then go underneath the bed base and back to the SafetyGrip Hand Rail.
8. Position the SafetyGrip Hand Rail away from the head board where it is most comfortable to use.

IMPORTANT: the distance from the headboard, and footboard, if the bed has one, to the closest part of the SafetyGrip Hand Rail must be more than 12 ½ inches.
9. Feed the strap through the buckle on the short strap. Tighten the strap securely and close the buckle to secure the strap.
10. Put the mattress back onto the bed.

PRODUCT INFORMATION

- The Hand Rails feature our patented interlocking SafetyGrip® and the long-lasting protection of embedded antimicrobial AlphaSan® RC5000 silver ions powder for all parts except hardware. For more details about AlphaSan®: <https://www.milliken.com/en-us/businesses/chemical/product/alphasan>
- MoveEasy® Hand Rail are designed to assist with sit-up, reposition, balance, stand, or transfer. **They are not designed or intended to take the full weight of the user.**

MAINTENANCE AND CLEANING

- **VERY IMPORTANT:** It is important to inspect the Product(s) frequently.
- Stop using immediately if damaged or broken, or if parts are missing.
- Stop using immediately if Product(s) shift out of the original installed position(s) until they are readjusted into the correct position.
- To clean your Hand Rail, use a damp cloth with soap and water or mild household cleaner, wipe clean and dry before using.

Agreement Between Installer/User(s) and Hartmobility Inc.

Neither Hartmobility Inc. nor the Seller of this Product will be Liable for improper installation or use of this Product.

Warranty

For Warranty details, refer to the Warranty details on the Hartmobility Inc.

website: www.hartmobility.com/Warranty or call 1-800-998-0774 ext. 3



Hartmobility reserves the right to update and revise our products. Refer to our website for the most up-to-date version of this document.

Copyright © 2024 Hartmobility Inc. All Rights Reserved.

