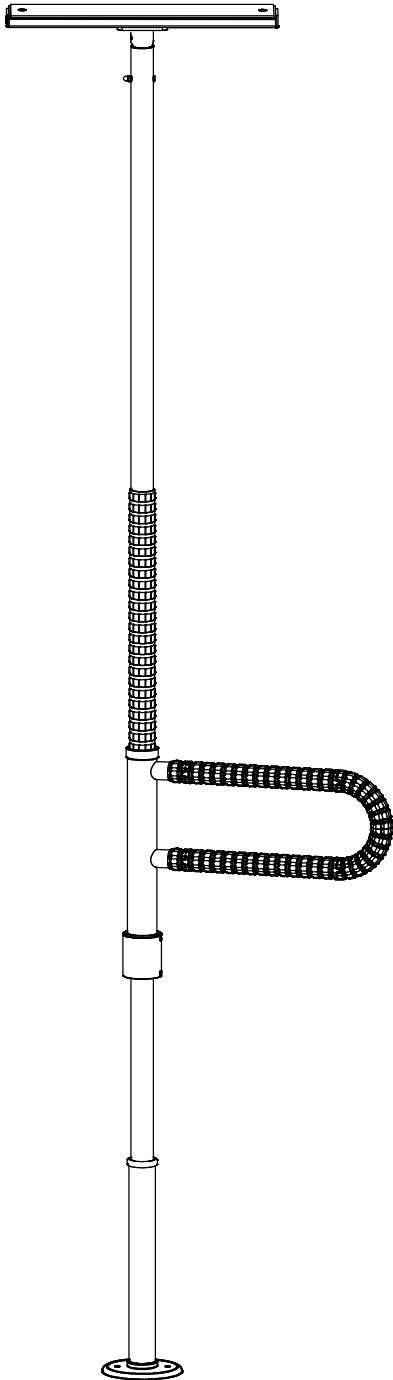


# TITAN ONE with ROTOBAR & SafetyGrip®

SG6101



## Table of Contents

- Warnings and Cautions for Titan One Pole (2 Pages)
- SG6101 Installation Instruction (7 Pages)

## Specifications:

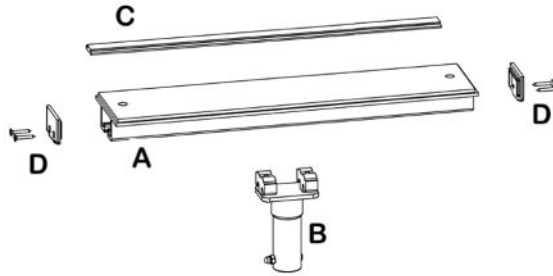
- Product Name: TitanOne Pole
- Product#: SG6101
- Maximum User Weight: 350lbs (160kg)



# KIT CONTENTS



① TITAN POLE



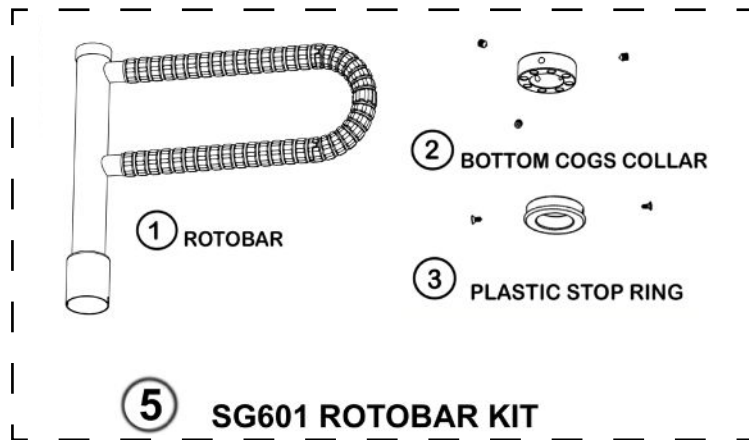
② CEILING CHANNEL PARTS



③ BOTTOM COVER TUBE

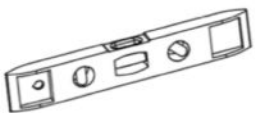


④ FLOOR BASE



⑤ SG601 ROTOBAR KIT

## Tools Included



LEVEL



WRENCH



ADJUSTING BAR



HEX KEYS

# IMPORTANT PRODUCT INFORMATION

- When installing the SG601 RotoBar on any Titan One Pole it is **VERY IMPORTANT** to screw the Pole Ceiling Channel to the joists. The two screws are provided. Ceiling Channel Instructions are in Step 3
- If using a Titan One Pole near a bed, the Pole must be installed at least 20 inches away from the bed to reduce the risk of entrapment between it and the bed.
- When installing the SG6101 there is always a risk of entrapment it and furniture, fixtures and other objects.

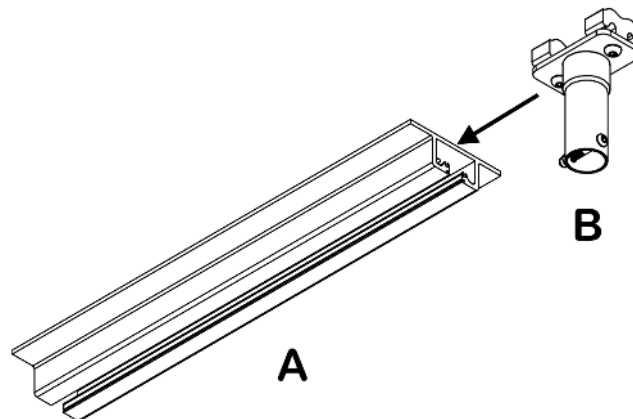
Titan One Pole features our patented interlocking SafetyGrip® and the long-lasting protection of embedded antimicrobial AlphaSan® RC5000 silver ions powder for all parts except hardware.

For more details about AlphaSan®: <https://www.milliken.com/en-us/businesses/chemical/product/alphasan>

- Titan One Pole are assistive products that may be affixed between floors and ceilings.
- The Titan One Pole is a tension mount stability and positioning aid that will be subjected to significant lateral (sideway) loads when in use. It is your responsibility to ensure that the Titan One Pole is correctly installed and maintained as per these **ASSEMBLY INSTRUCTIONS** provided.
- Titan One Pole have 6 inches of height adjustment and are designed for installation where the ceiling height is between 7'-9" to 8'-3" (235 – 250cm). For higher ceilings see the SG604 Height Extension Kit.
- The Titan One Pole is designed to assist with sit-up, reposition, balance, stand, or transfer for persons weighing up to 350lbs (158kg) and is **not designed** to bear the full weight of the user.
- The Titan One Pole is **not suitable** for use by persons over 350lbs (158kg). Please refer to SG650 Titan Heavy Duty Pole for our 500lbs (230kg) rated weight capacity pole.

## STEP 1: Assemble The Ceiling Channel

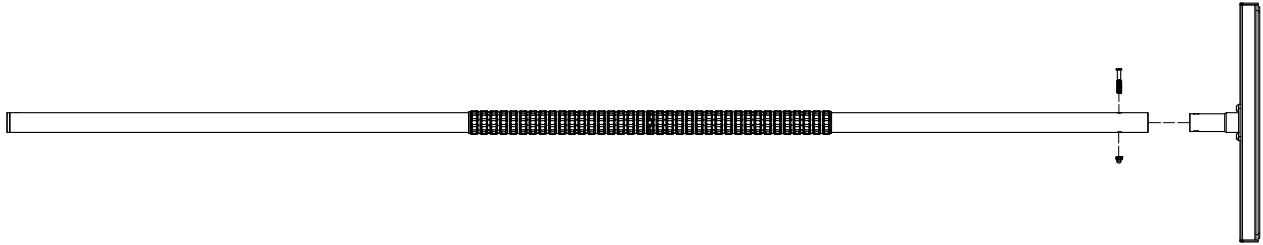
First put on safety glasses, and then you must partly assemble the Ceiling Channel. Take Part B and slide it into the end of the Ceiling Channel Part A. Tighten the two BHC Bolts in Part B to secure Part B while you are assembling the Titan One Pole.



STEP 1

## STEP 2: Join the Ceiling Channel Assembly with the Pole Upper Tube

Take the Titan One Pole Item 1 and the Ceiling Channel Item 2 and slide them together. Insert the Bolt, add the Dome Nut and tighten them securely using the Hex Key and Wrench .



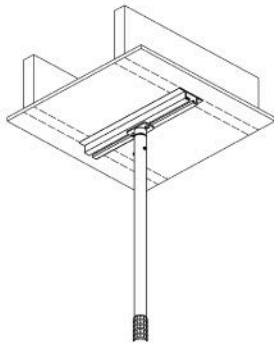
### STEP 2

## STEP 3: Locate the Ceiling Joists

### OPTION 1:

Mount Ceiling Channel spanning two ceiling joists;

Locate the joists behind the ceiling membrane and mark them. Using a stud finder is recommended.



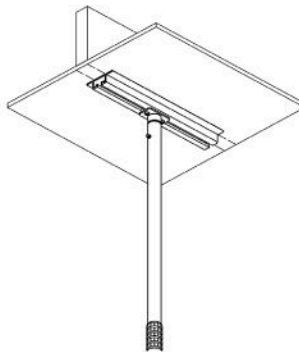
### OPTION 1

SPANNING TWO JOISTS

### OPTION 2:

Mount Ceiling Channel lengthways along one joist;

Locate the joist behind the ceiling membrane and mark it. Using a stud finder is recommended.



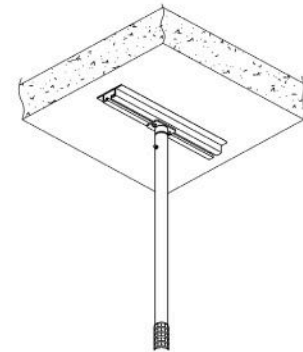
### OPTION 2

LENGTHWAYS ON ONE JOIST

### OPTION 3:

For Solid Construction Ceilings;

Solid Ceilings are common in apartment buildings. The Pole can be mounted anywhere on this type of construction. The fasteners for this option are not supplied.

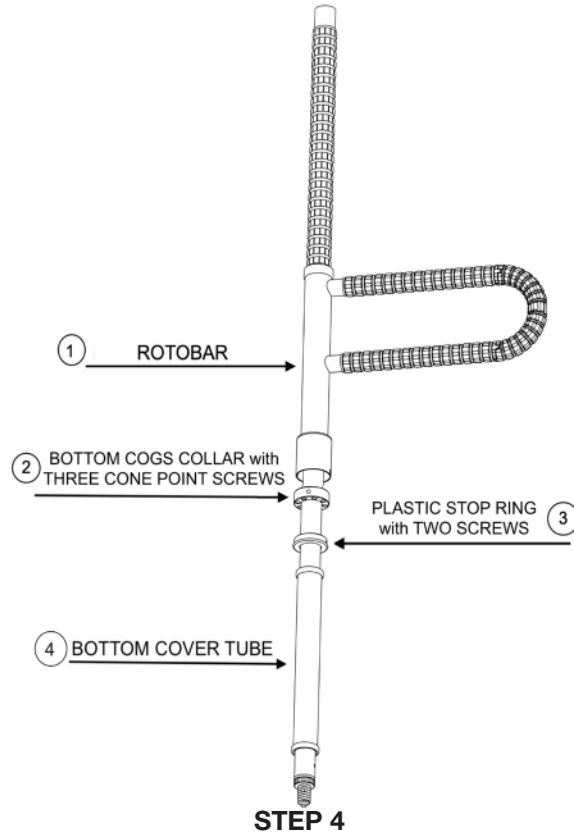


### OPTION 3

SOLID CONSTRUCTION CEILING

**Installer Note:** For Option1, measure the spacing of the Joists. The Ceiling Channels are pre-drilled at 16 inch centers. If the spacing on your joists is different you will need to drill new holes in the Ceiling Channel to suit.

## STEP 4: Slide the RotoBar and parts onto the Pole



## STEP 5: Stand the Pole up in position

Put the Titan One into the Floor Base Item 4 and stand it up. Align the Ceiling Channel with the marks you made in Step 3. Secure the Ceiling Channel to the joists using the screws provided.

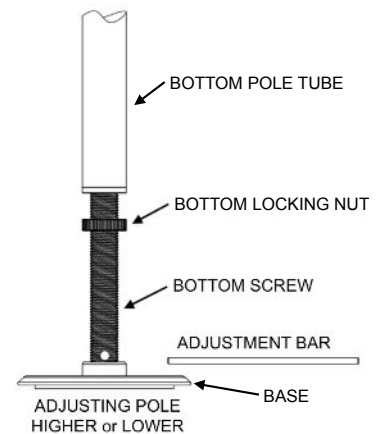
## STEP 6: Pole Height Adjustment

While you do this step you will need to hold the RotoBar and the Cover Tube up out of the way.

You can adjust the height of the Titan One Pole by turning the Bottom Screw until the Ceiling Channel is touching your Ceiling. You can use the Adjusting Bar supplied to help you do this.

Tighten the Pole Bottom Screw to hold the Pole in place ready to do Step 7.

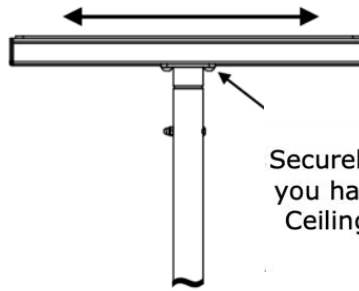
**Installer Note:** Slide the Bottom Cover Tube Item 3 up out of your way while you are doing this step.



## STEP 7: Pole Alignment

You can now decide where you want the Titan One Pole located along the length of the Ceiling Channel.

Loosen the two BHC Bolts and move the Titan One Pole and the Sliding Channel along the Ceiling Channel to where you want it, then securely re-tighten the two BHC Bolts.



Securely Tighten the BHC Bolts after you have located the Pole along the Ceiling Channel where you want it

STEP 7

## STEP 8: Final Pole Height Adjustment

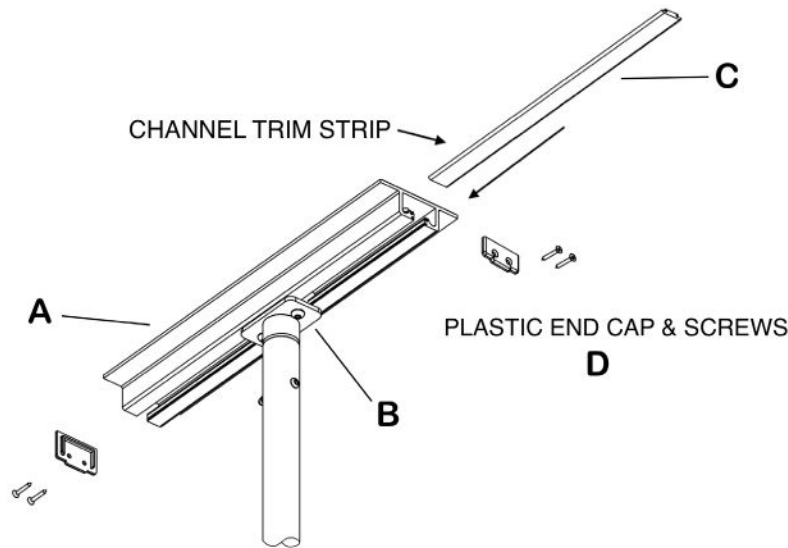
You are now ready to finally tighten the Titan One Pole. Before you do, check that the Titan One Pole is perpendicular (90 degrees) to the floor in all directions using the level supplied. When it is perpendicular and where you want it to be, tighten the Titan One Pole using the Adjustment Bar.

**Installer Caution:** Do not overtighten the Titan One Pole because it could damage your ceiling.

## STEP 9: Add the trim parts to the Ceiling Channel

Take the Channel Trim Strip Part C, and slide into one end of the Ceiling Channel Part A. Mark it at the end of the channel, cut where the mark is and slide it back into the channel. Repeat this on the other side of the channel. Now screw the two plastic End Caps Part D onto each end of the channel using a philips screw driver.

**Installer Note:** You can cut the Channel Trim Strips using strong scissors or a fine blade hack-saw.



STEP 9

## STEP 10: Final Checks

Ensure the Titan One Pole is safe and secure by grasping the Pole mid-height and push and pull vigorously. The Base or Ceiling Channel should not slide or move if the Titan One Pole is tensioned correctly.

When the Titan One Pole is tight and secure, tighten the Bottom Locking Nut against the bottom of the Titan One Pole using the Adjustment Bar.

# MAINTENANCE AND CLEANING

- **VERY IMPORTANT:** It is important to inspect the Product(s) frequently.
- Stop using immediately if damaged or broken, or if parts are missing.
- Stop using immediately if Product(s) shift out of the original installed position(s) until they are readjusted into the correct position.
- To clean your Titan One Pole, use a damp cloth with soap and water or mild household cleaner, wipe clean and dry before using. wear and tear.



Hartmobility reserves the right to update and revise our products. Refer to our website for the most up-to-date version of this document.

