

SafetyGrip® HAND GRIP

SG470

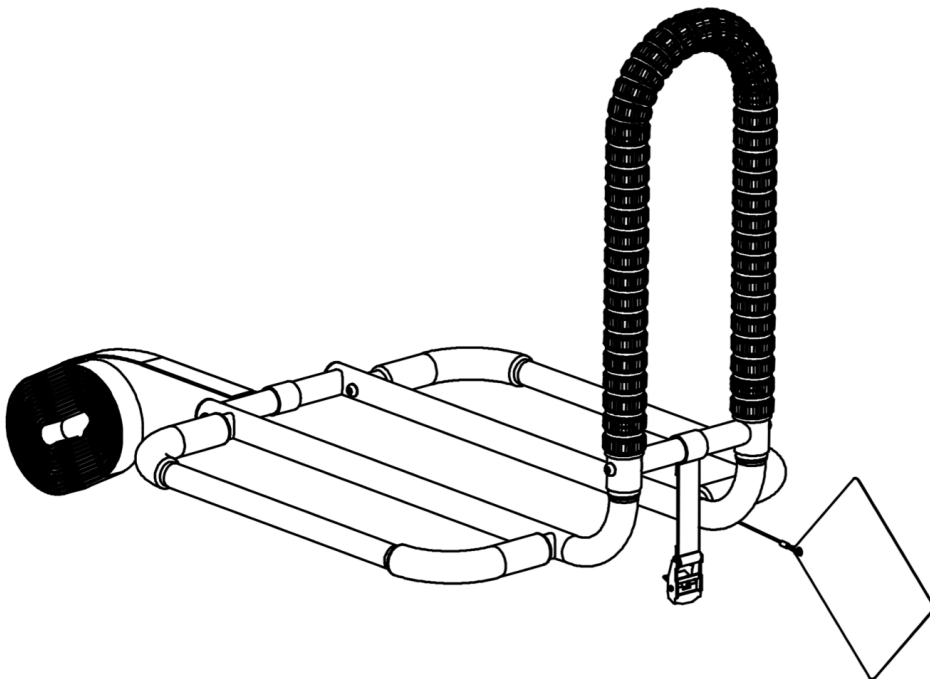


Table of Contents

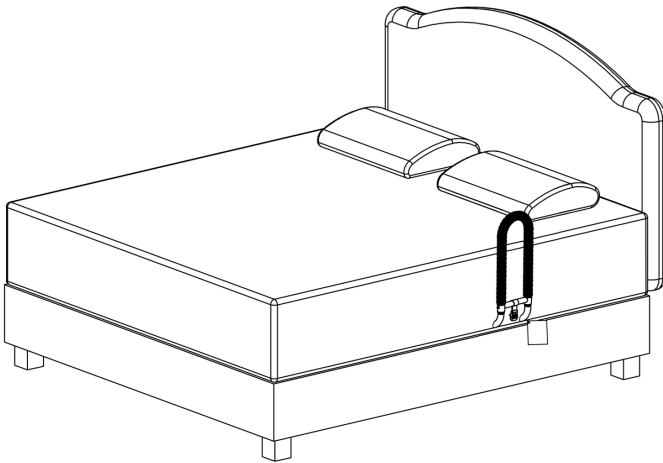
- Warnings and Cautions for Bedside Handrails (APBRs) (3 Pages)
- Entrapment Prevention Information (2 Pages)
- SG470 Installation Instruction (3 Pages)

Specifications:

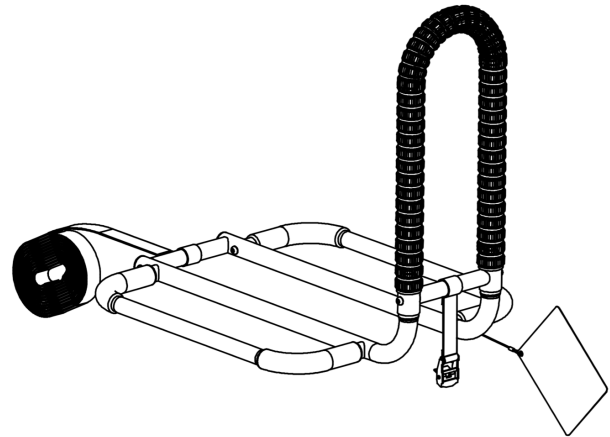
- Product Name: SafetyGrip® Hand Grip
- Product#: SG470
- Maximum User Weight: 400lbs (180kg)



ASSEMBLY & INSTALLATION

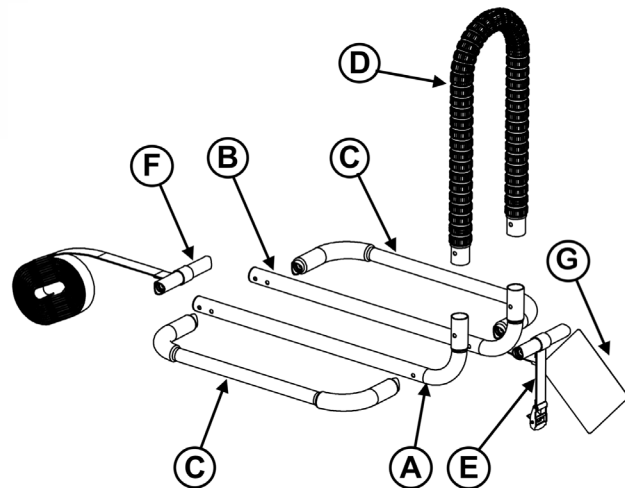


Bed Base and Box Spring if used



KIT CONTENTS

- A. 1 x L Tube Left
- B. 1 x L Tube Right with Warning Tag
- C. 2 x Mattress Grip Tube
- D. 1 x Bedside Hand Grip
- E. 1 x Cross Tube with Short Strap
- F. 1 x Cross Tube with Long Strap
- G. Warning Tag (attached)
- H. 10 x Screws
- I. 1 x Hex Key



Product Information and Specifications

Product Name: SG470 SafetyGrip® Hand Grip

Maximum User Weight: 400 lbs (180 kgs.) **IMPORTANT:** NOT intended to support the full weight of the user.

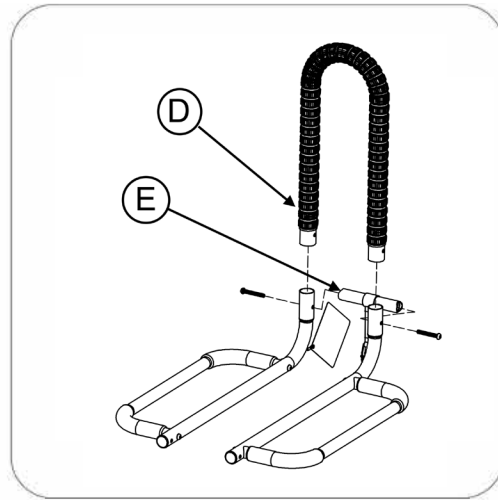
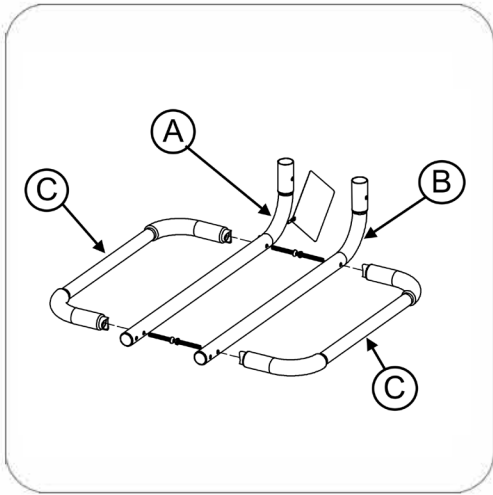
Cleaning: Use a damp cloth with soap and water or a mild household cleaner. Wipe clean and dry before using.

Installer Quick Tip:

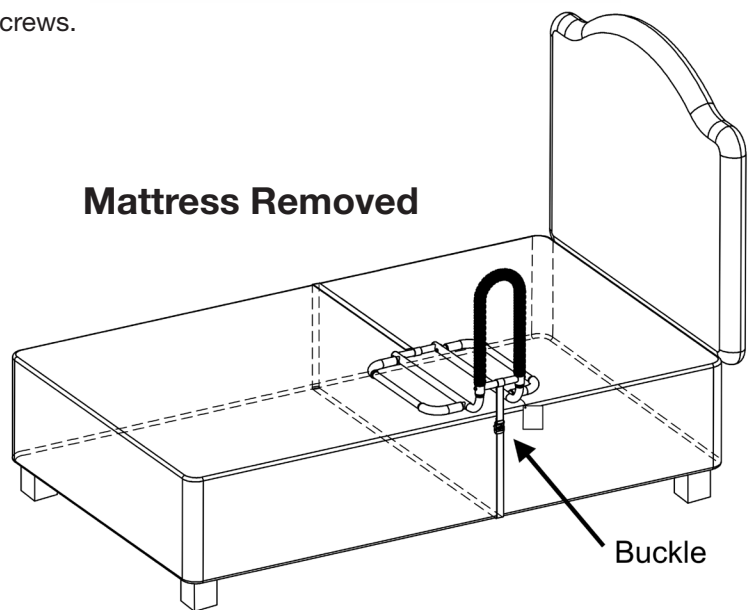
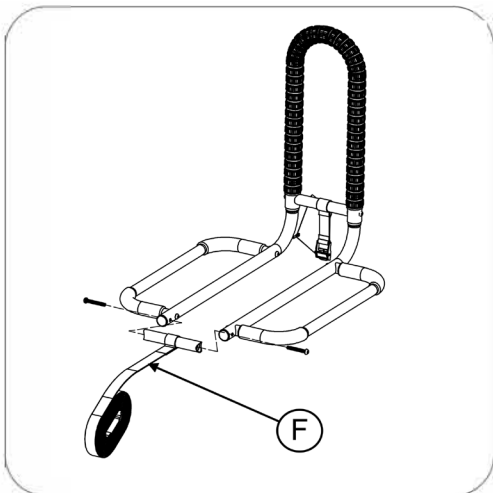
It is easier to assemble all the parts if you leave the screws a little loose until you have put all the parts together. Remember to tighten all screws when fully assembled.

STEPS:

1. Open the carton and remove all parts. Remove all coverings and dispose of safely away from children and infants.
2. Screw Parts A, B & C together.
3. Screw the assembly from Step 2 and Parts D & E together.



4. Screw Part F into the assembly and tighten all screws.



5. Remove the mattress.
6. With the mattress removed, sit the assembled SafetyGrip® Hand Grip on top of the bed base and/or box spring if the bed has a box spring.
7. Run the long strap on Part A across the top of the bed frame and/or box spring to the other side of the bed. Then go underneath the bed base and back to the SafetyGrip® Hand Grip.
8. Position the SafetyGrip® Hand Grip away from the head board where it is most comfortable to use.

IMPORTANT: the distance from the headboard, and footboard, if the bed has one, to the closest part of the SafetyGrip® Hand Grip must be more than 12 ½ inches.

9. Feed the strap through the buckle on the short strap. Tighten the strap securely and close the buckle to secure the strap.
10. Put the mattress back onto the bed.

Hartmobility reserves the right to update and revise our products. Refer to our website for the most up-to-date version of this document.

