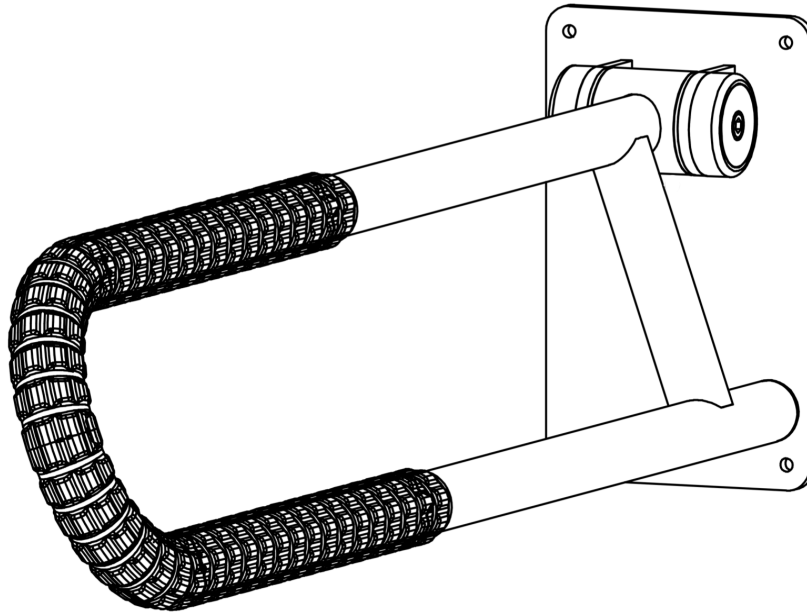


SafetyGrip® FRICTION HINGED GRAB BAR

SG775R - Right & SG775L - Left



SG775 R
RIGHT HAND SHOWN

Table of Contents

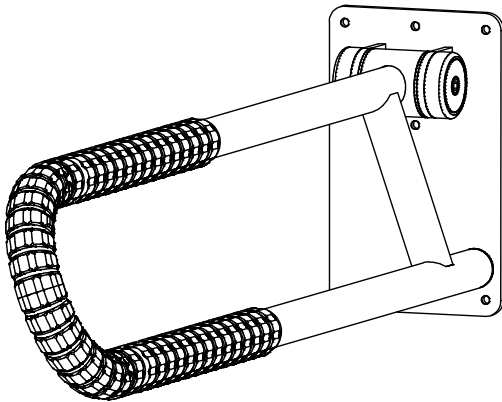
- Warnings and Cautions for Hinged Grab Bar (1 Page)
- SG775 Installation Instruction (6 Pages)

Specifications:

- Product Name: SafetyGrip® FRICTION HINGED GRAB BAR
- Product#: SG775
- Maximum User Weight: 400lbs (180kg)

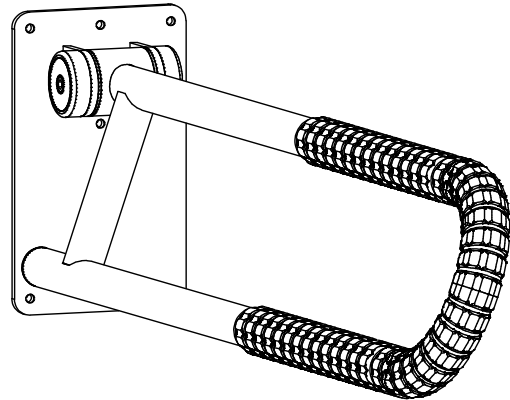
KIT CONTENTS

Note:
**This Kit will have only One SG775R - Right Side
or One SG775L - Left Side**



RIGHT SIDE

OR



LEFT SIDE



#14 WOOD SCREWS

Tools Required

Safety Glasses

Power Drill.

1/8 inch drill bit for pilot holes for the wood screws.

Philips screw driver.

Pencil

Technical date

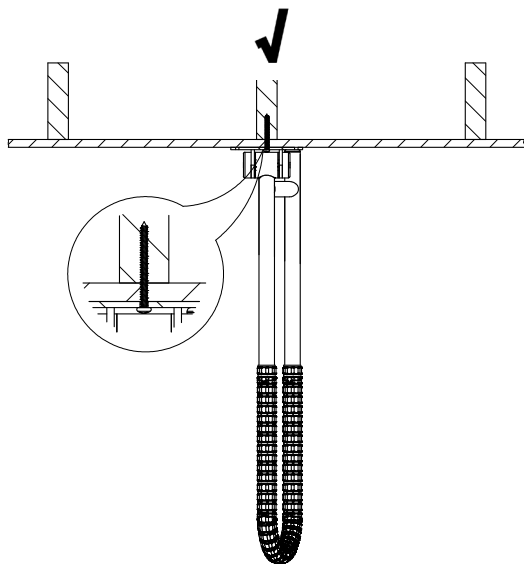
Safety and pleasing designs to enhance your bathroom décor, and will increase your safety in your home.

- All Hartmobility SG775 are ADA Compliant and will support up to 400 lbs when installed correctly onto structurally sound walls.
- They feature our patented interlocking SafetyGrip® for the safest available grip.
- They come with the long-lasting protection of embedded antimicrobial AlphaSan® RC5000 silver ions powder for all parts. For more details about AlphaSan®:
<https://www.milliken.com/en-us/businesses/chemical/product/alphasan>

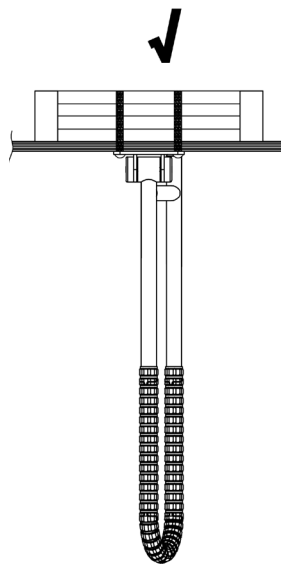
INSTALLATION

Wall Requirements

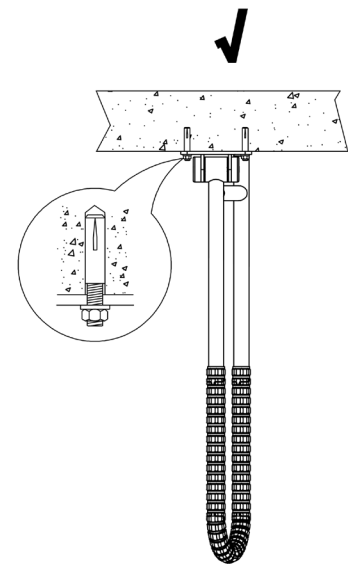
- The SG775 Hinged Grab Bar is designed to assist with sit-up, reposition, balance, stand or transfer persons weighing up to 400lbs (180kg). **It is not designed or intended to take the full weight of the user.**
- For heavy use or higher weight capacity we recommend that two SG775 are used, one on either side of the user.
- The SG775R is installed on the right side of the toilet or chair etc. when the user is seated. The SG775L is opposite.
- The SG775 must be installed onto walls that are structurally sound and strong. Add blocking or reinforcing if required. **See 2.**
- When installing onto steel stud or concrete walls the correct fasteners or anchor bolts must be used. These fasteners or anchor bolts are not supplied in this Kit. **See 2.**
- Do not install onto walls when the structure behind the wall is unknown. **See 3.**
- When raising the Hinge Grab Bar for storage be aware of, and use caution, for potential pinch points at the hinge area and between the arm and the wall.



ONTO A STUD
1



BLOCKING
2

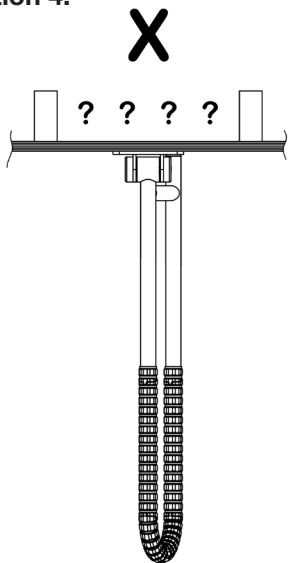


CONCRETE
3



STEP 1: Find What Is Behind Your Wall Panelling

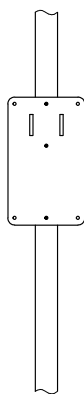
First put on Safety Glasses. Be sure that you know what is hidden behind your wall paneling where you want to mount your hinged grab bar. **See Illustration 4.**



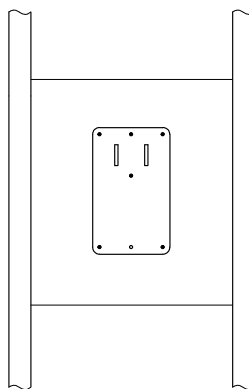
UNKNOWN
4

STEP 2: Choose What Mounting Option For Your Hinged Grab Bar

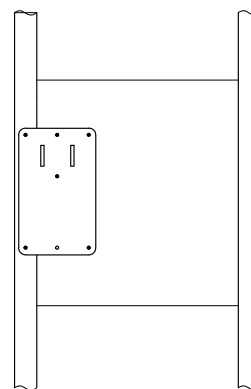
See Illustrations



1- Use 3 - #14 - Screws
Into Center of Stud



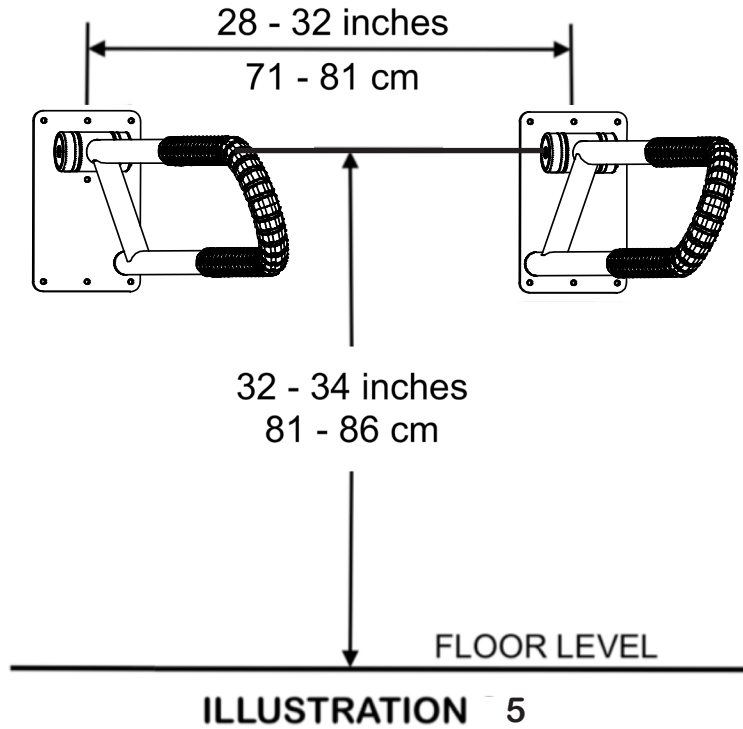
2- Use 6 - #14 - Screws
Into Blocking



3 - One Edge On a Stud
Use 5 - #14 - Screws
2 Into Center of Stud
3 Into Blocking

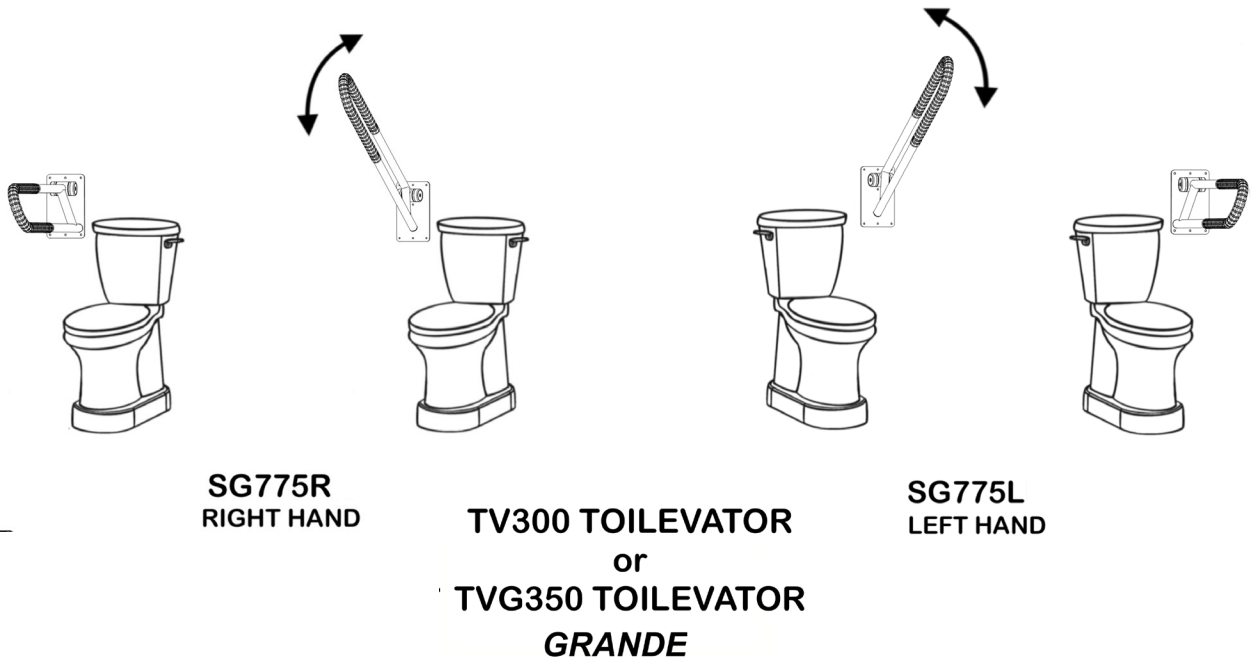
STEP 3: Decide How High And Wide You Want The Grab Bar

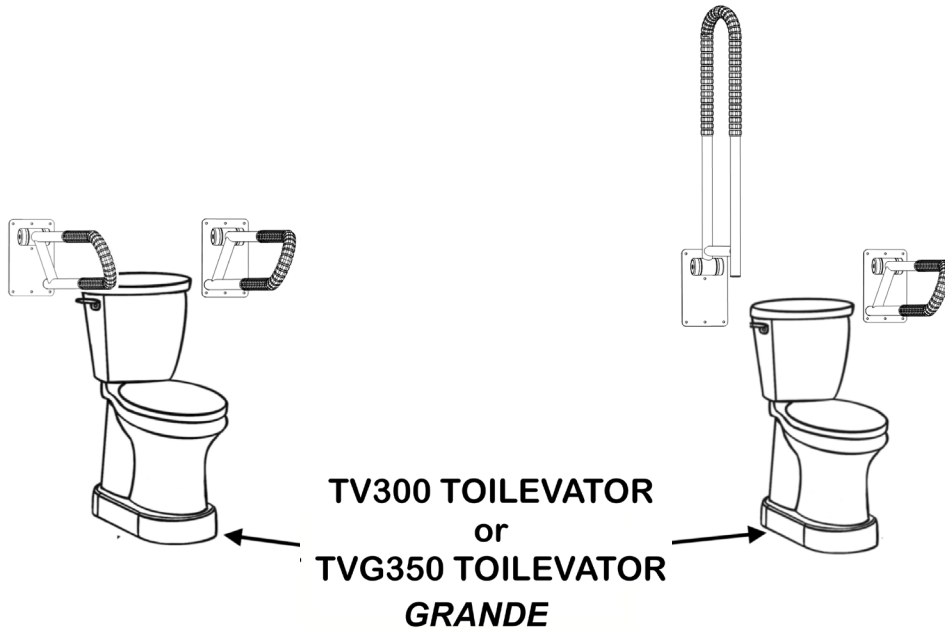
Now you can decide how high that you want the Hinged Grab Bar to be from the floor. The top arm should be a comfortable height for the user when they are standing.



STEP 4: Install the Hinged Grab Bar

Securely and correctly install according to your mounting choice.





SG775R & SG775L

ARM IN STORED POSITION

- In these positions we also show our Toilevator and Toilevator HD, which will raise your toilet seat to the ADA recommended height, very discreetly. These products also make it easier to sit onto and get up from the toilet.
- The above positions all show the KBSSG775 being used with a toilet. They can also be of assistance to users for sitting onto and getting up from sofas, easy chairs, regular chairs etc.

Maintenance and Cleaning

- **VERY IMPORTANT:** It is important to inspect the Product(s) frequently.
- Stop using immediately if damaged or broken, or if parts are missing.
- Stop using immediately if Product(s) shift out of the original installed position(s) until they are readjusted into the correct position.
- To clean, use a damp cloth with soap and water or mild household cleaner, wipe clean and dry before using.

Warranty

For Warranty details, refer to the Warranty details on the Hartmobility Inc.

Website: www.hartmobility.com/Warranty or call 1-800-998-0774 ext. 3



Hartmobility reserves the right to update and revise our products. Refer to our website for the most up-to-date version of this document.
Copyright © 2024 Hartmobility Inc. All Rights Reserved.

