

GRAB POLE Safety Retention Strap Kit

600120

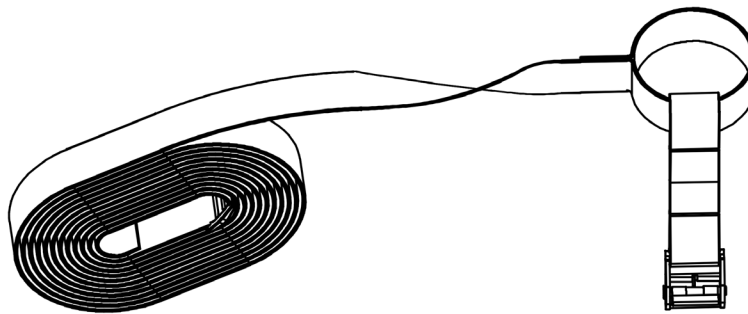


Table of Contents

- Additional Warnings and Cautions for Bedside Poles (2 Pages)
- 600120 Installation Instruction (2 Pages)

Specifications:

- Product Name: Grab Pole Safety Retention Strap
- Product#: 600120

STEP 1: Slide the Safety Retention Strap onto the Bottom of your Grab Pole

See STEP 2 of your Grab Pole Assembly and Installation Instructions where it tells you to slide the Safety Retention Strap up onto the bottom of your Pole. After you have done this continue to complete the Pole Assembly and Installation.

STEP 2: Install the Safety Retention Strap onto your Bed Base

After you have finished installing the Grab Pole where you will use it, push the bed against the Pole.

Slide the Strap up the Pole until the long strap is level with the top of your bed base, or box spring if your bed has one.

For the next part you can either remove the mattress (easiest) or lift it up from one end.

Run the long strap on the Safety Retention Strap across the top of the bed frame and/or box spring to the other side of the bed.

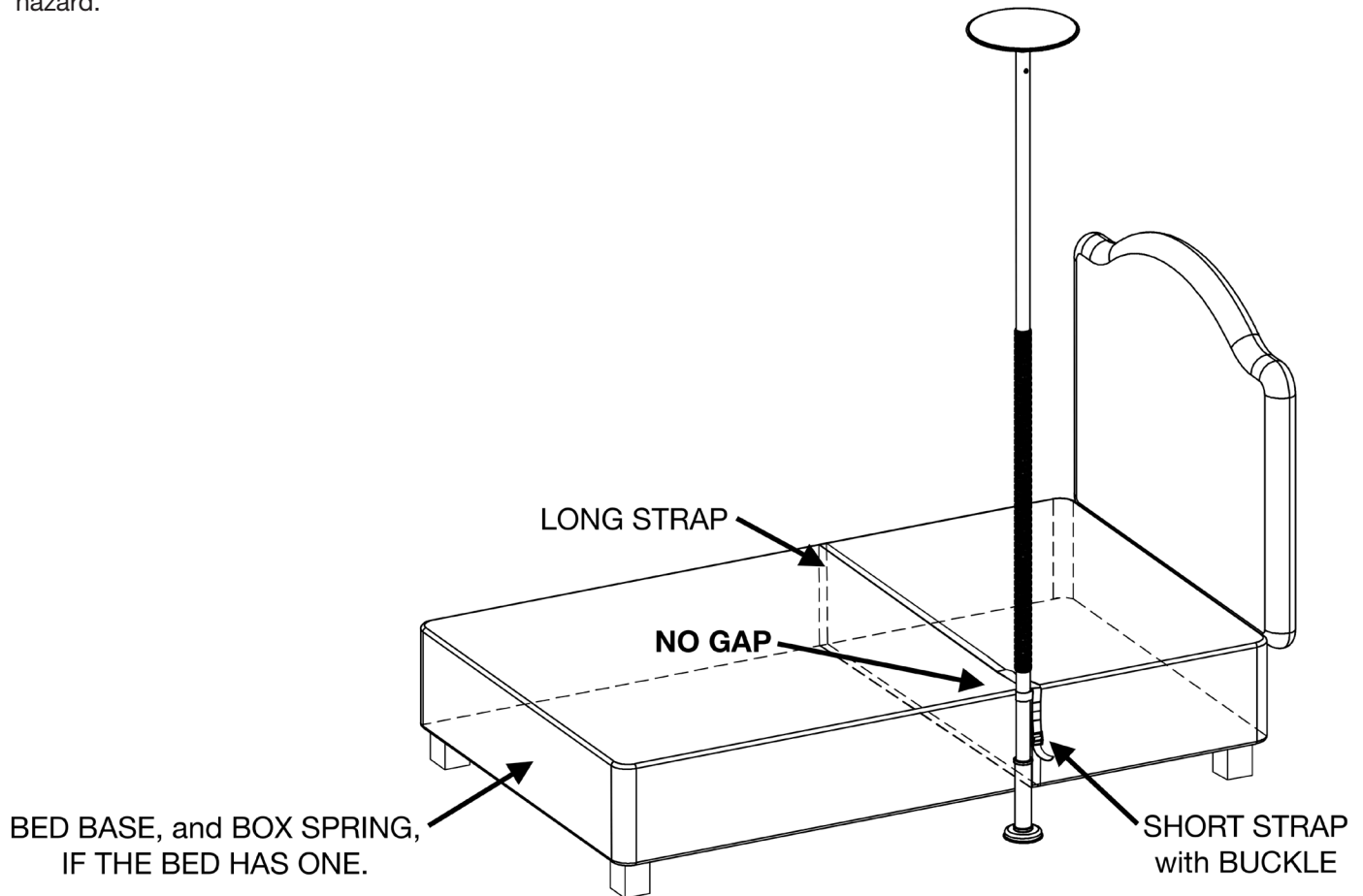
Then go underneath the bed base and back to the Grab Pole.

IMPORTANT: the distance from the headboard, and footboard, if the bed has one, to the closest part of the Pole must be more than 12-½ inches. We recommend between 30 and 36 inches.

Feed the strap through the buckle on the short strap. Tighten the strap securely and close the buckle to secure the strap.

Put the mattress back on the bed base if you removed it.

Loop and double tie the ends of the long straps below the buckles. Cut off any excess straps to prevent a tripping hazard.



BED BASE SHOWN with MATTRESS REMOVED

Hartmobility reserves the right to update and revise our products. Refer to our website for the most up-to-date version of this document.

Copyright © 2024 Hartmobility Inc. All Rights Reserved.

