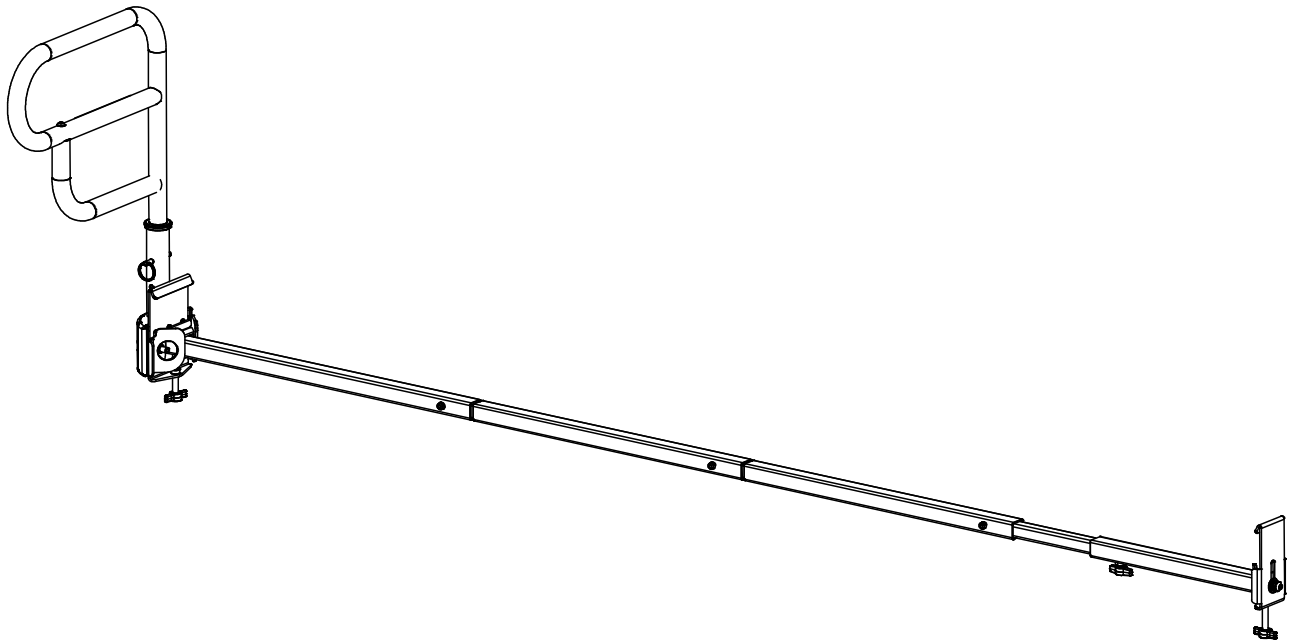


ARCORAIL® ROTATING BEDSIDE HANDRAIL

AR250 For Regular Homestyle Beds



Regular Home Style beds have ANGLE IRON FRAMES that are horizontal and flat at the bottom.



FITS HOMESTYLE BED FRAMES
(1" - 1-3/4") IN HEIGHT

Table of Contents

- Warnings and Cautions for AR250 Bedside Handrails (APBRs) (3 Pages)
- Entrapment Prevention Information (2 Pages)
- AR250 Installation Instruction (7 Pages)

Specifications:

- Product Name: Arcorail® Rotating Bedside Handrail
- Product#: AR250
- Maximum User Weight: 300lbs (136kg)



Product information and Specifications

Arcorail® Bedside Balance Handrail uses the long-lasting protection of embedded antimicrobial AlphaSan® RC5000 silver ions powder for all parts except hardware.

For more details about AlphaSan®: <https://www.milliken.com/en-us/businesses/chemical/product/alphasan>

Arcorail® is an assistive balance and mobility product. It is designed to assist with sit-up, reposition, balance, stand or transfer.

Maximum weight capacity of the Arcorail® is 300 lbs (136 kg) and it is **not designed** to support the full weight of the user.

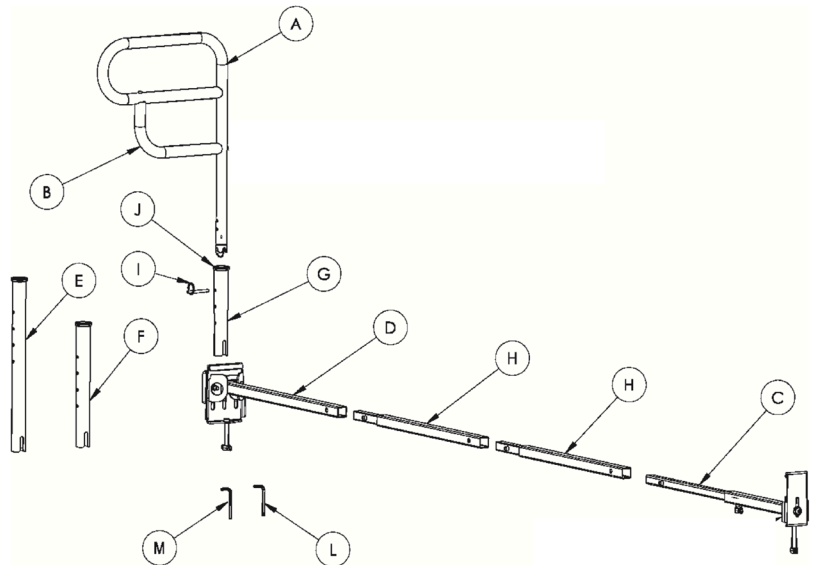
For users over 300 lbs, our SG460HD and SG470HD has a maximum weight capacity of 500 lbs (230 kg).

Agreement Between Installer/User(s) and Hartmobility Inc.

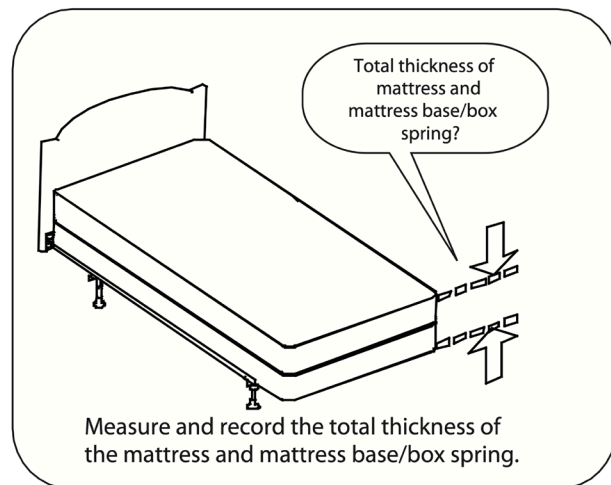
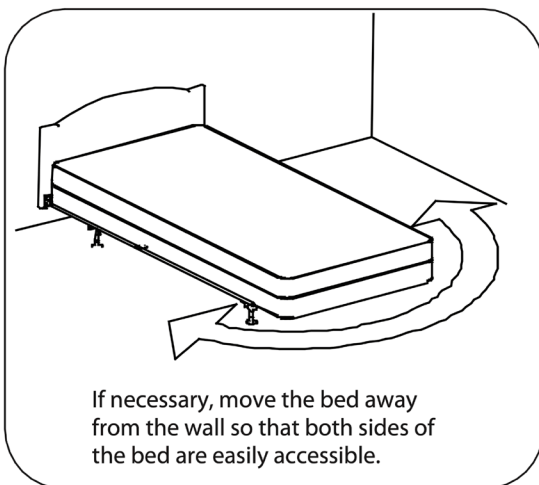
Neither Hartmobility Inc. nor the Seller of this Product will be Liable for improper installation or use of this Product.

KIT CONTENTS

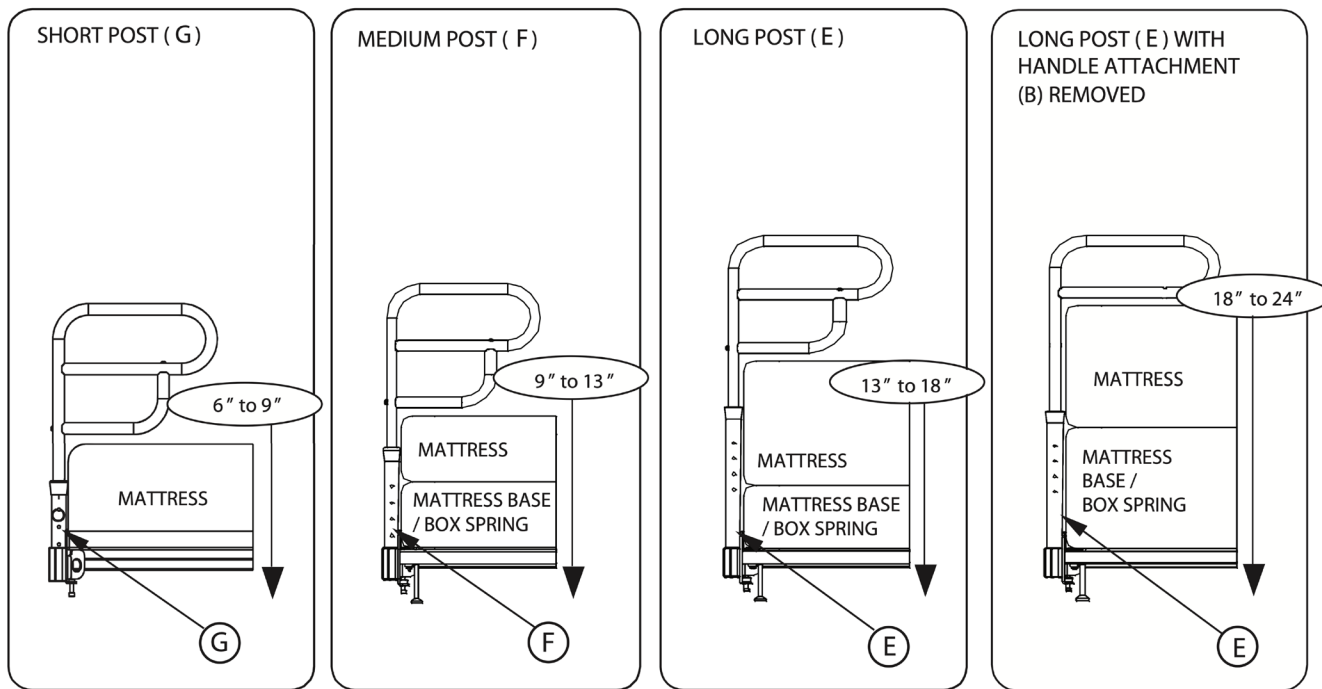
Item	Qty.	Description
A	1	HANDLE
B	1	HANDLE ATTACHMENT
C	1	BACK ANCHOR ASSEMBLY
D	1	FRONT ANCHOR TUBE ASSEMBLY
E	1	LONG POST
F	1	MEDIUM POST
G	1	SHORT POST
H	2	EXTENSION TUBE
I	1	HEIGHT ADJUSTING PIN
J	1	POST CAP
L	1	4mm HEX KEY
M	1	6mm HEX KEY



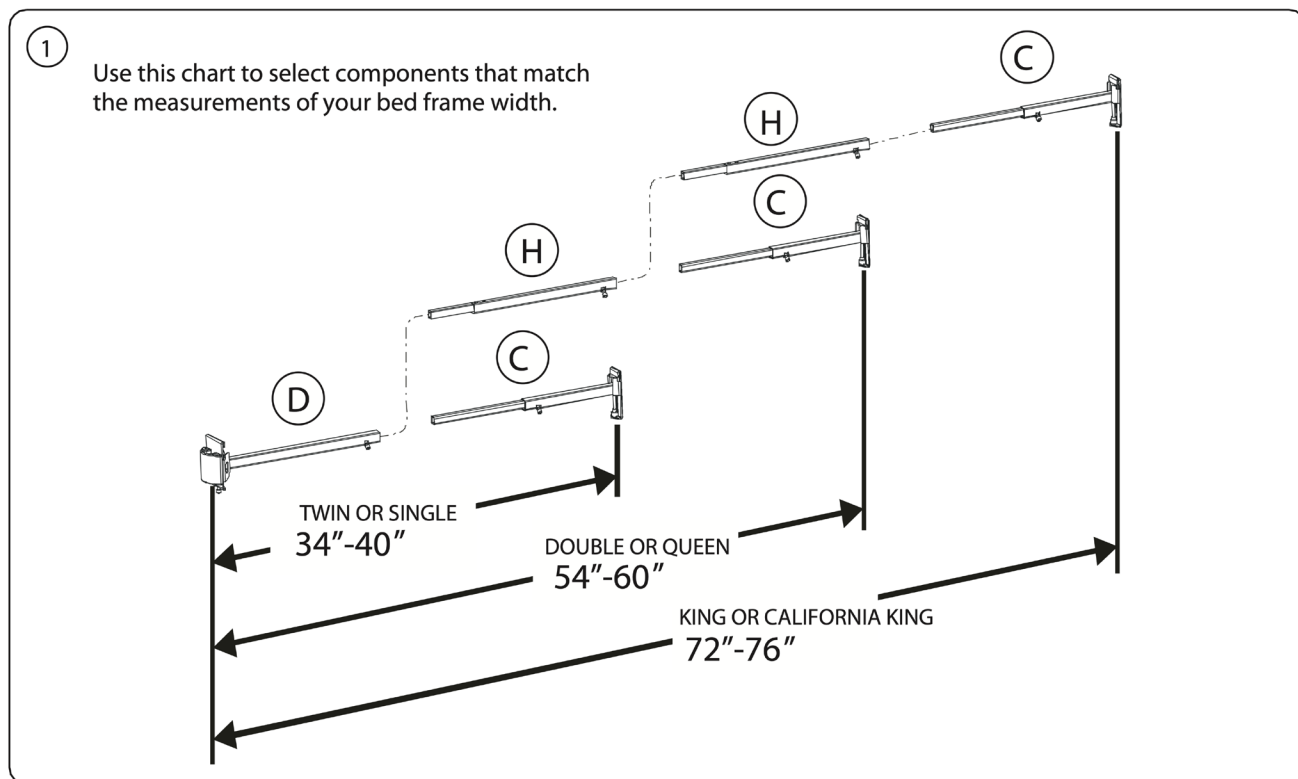
INSTALLATION



Pick Post Length & Handle Configuration



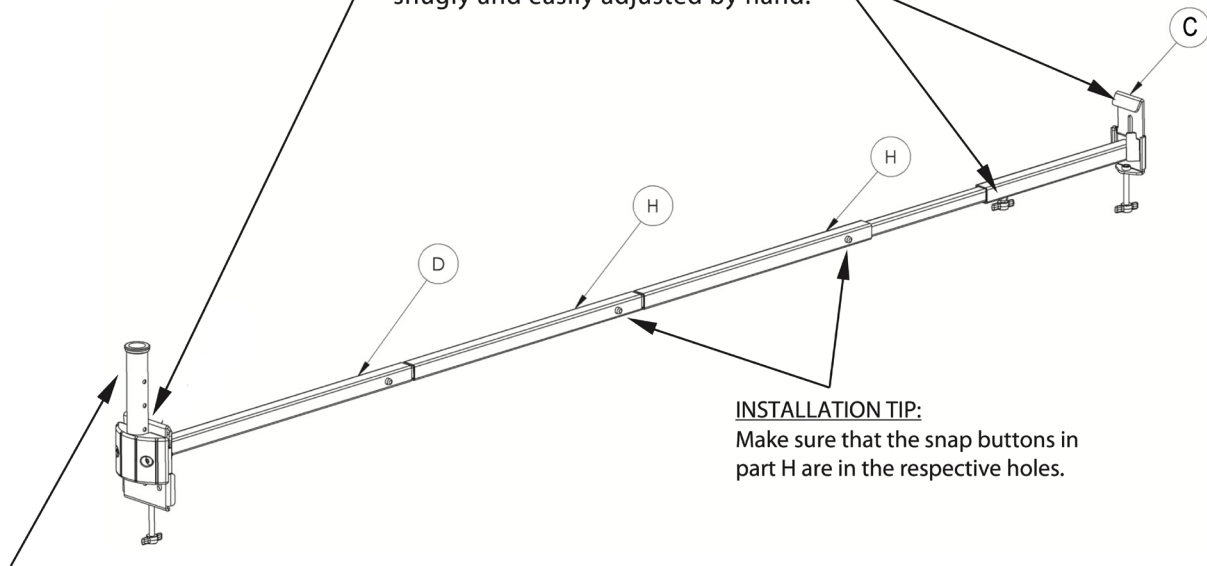
Pick Frame Width



Pre-Assemble These Parts

2

All moving parts must be pre-fastened snugly and easily adjusted by hand.



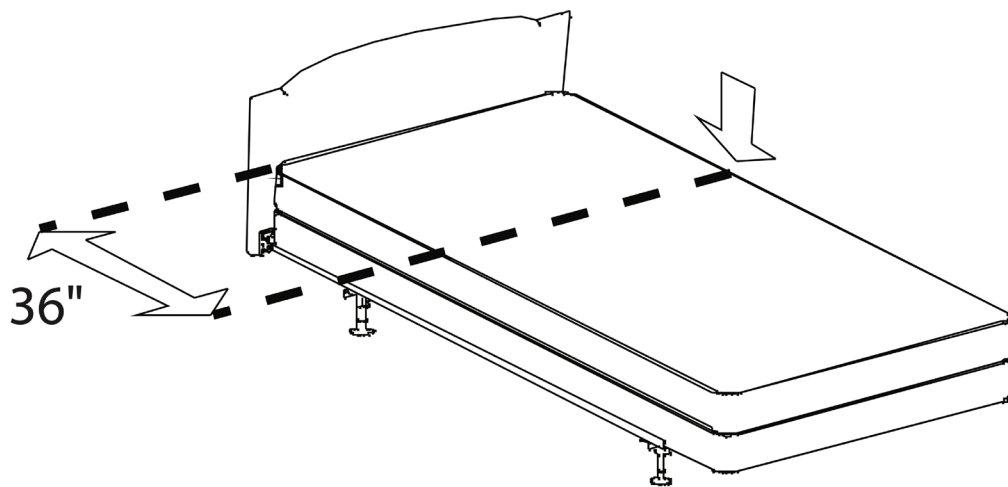
INSTALLATION TIP:
Make sure that the snap buttons in part H are in the respective holes.

INSTALLATION TIP:
Put the Post in place now

Note: Two connector tubes (H) replace AR18

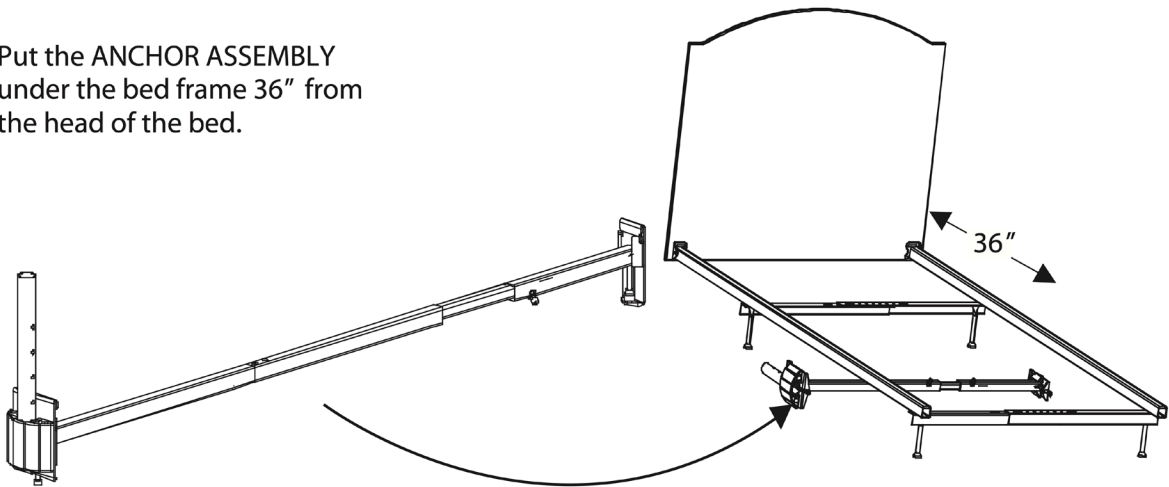
Select Installation Position

Mark the bed frame 36" from the head of the bed

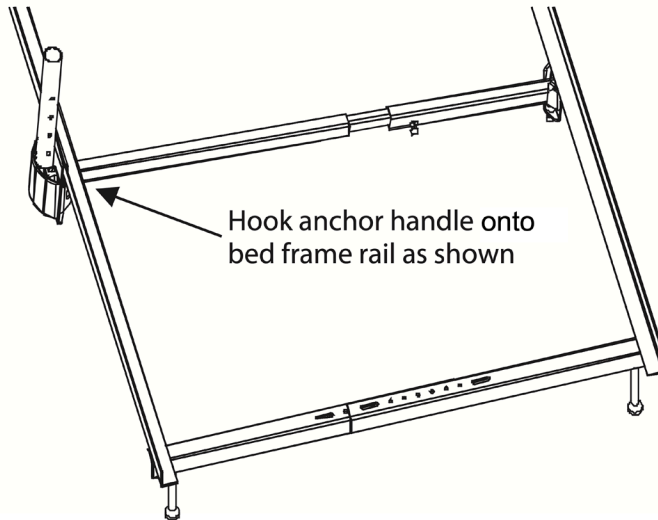


Fitting Arcorail Base to Frame

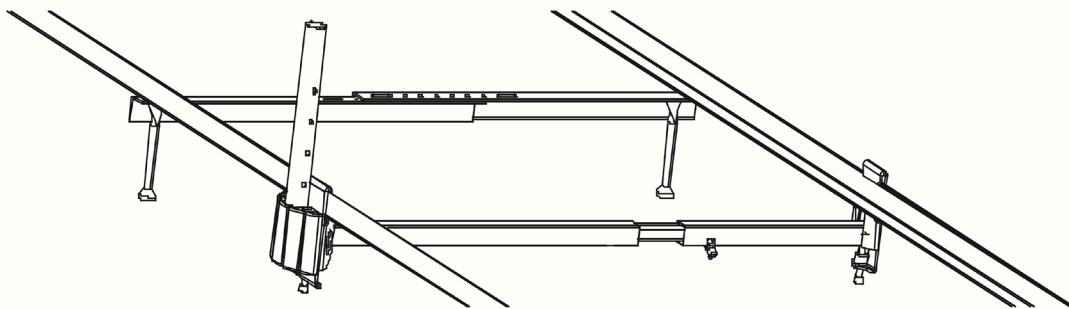
- 1 Put the ANCHOR ASSEMBLY under the bed frame 36" from the head of the bed.



- 2 Hook anchor handle onto bed frame rail as shown

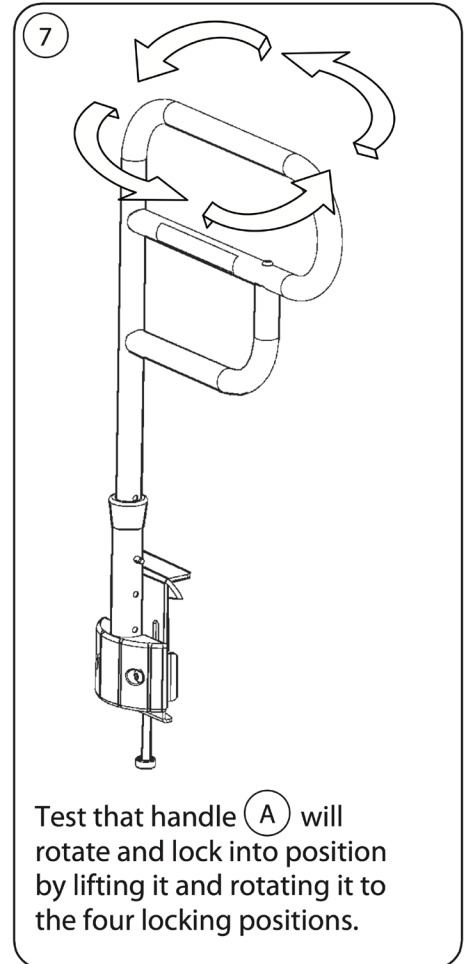
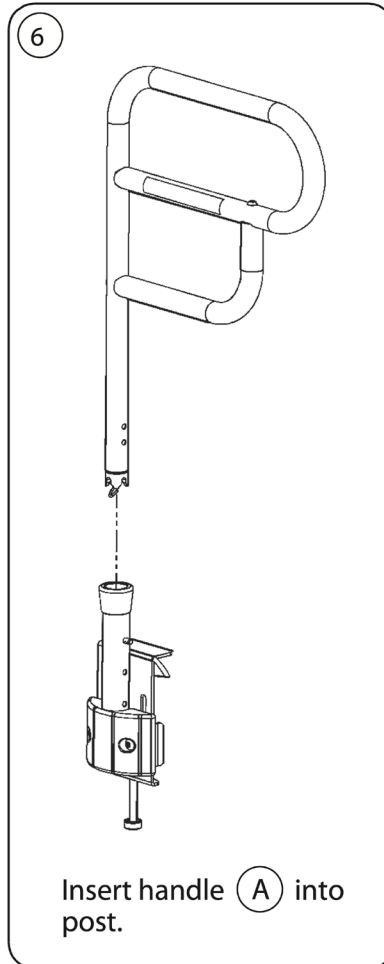
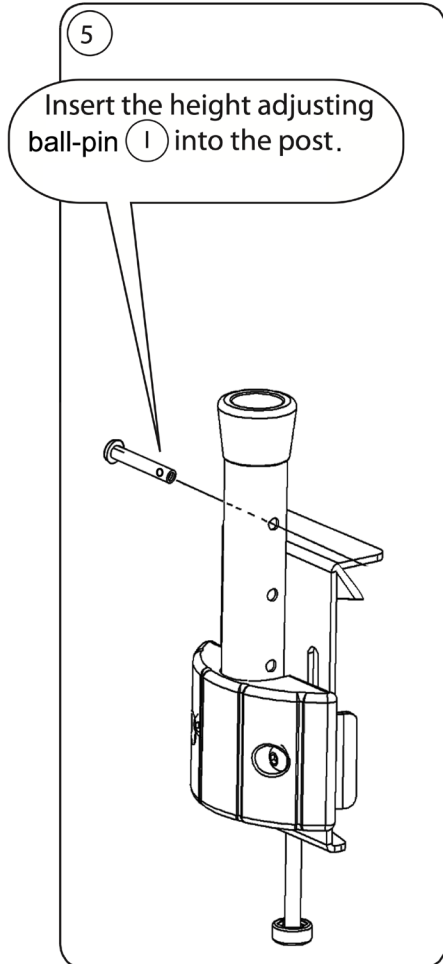
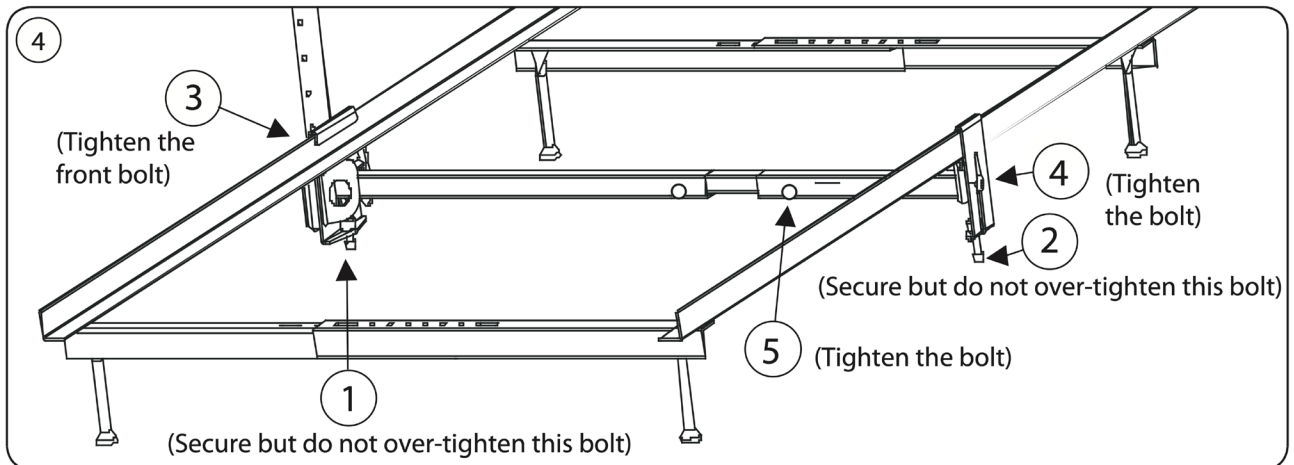


- 3 Take opposite end and hook it onto the bed frame. Proceed to tightening bolts in step 4.



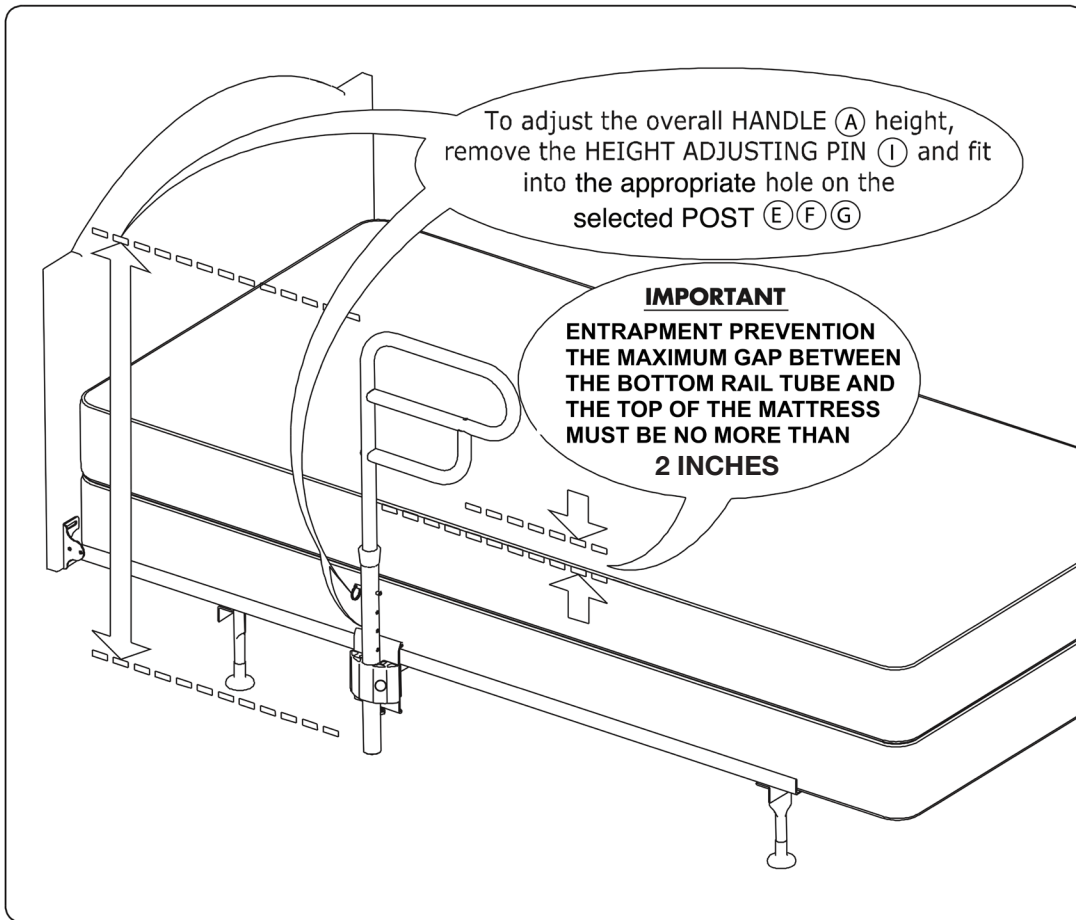
Tightening Arcorail Base to Frame

Ensure all parts are attached firmly (to simulate one solid part) and install in numeric order as shown.



Safety-Check

Set height of Arcorail® for safety (do not allow a gap greater than 2 inches (50mm) - see below for important details) and check to ensure all bolts and parts are firmly fastened before placing mattresses onto the bed frame and periodically tighten as required.



MAINTENANCE AND CLEANING

- **VERY IMPORTANT:** It is important to inspect the Product(s) frequently.
- Stop using immediately if damaged or broken, or if parts are missing.
- Stop using immediately if Product(s) shift out of the original installed position(s) until they are readjusted into the correct position.
- To clean your Arcorail®, use a damp cloth with soap and water or mild household cleaner, wipe clean and dry before using.

Warranty

For Warranty details, refer to the Warranty details on the Hartmobility Inc.

Website: www.hartmobility.com/Warranty or call 1-800-998-0774 ext. 3

Hartmobility reserves the right to update and revise our products. Refer to our website for the most up-to-date version of this document.

Copyright © 2024 Hartmobility Inc. All Rights Reserved.

