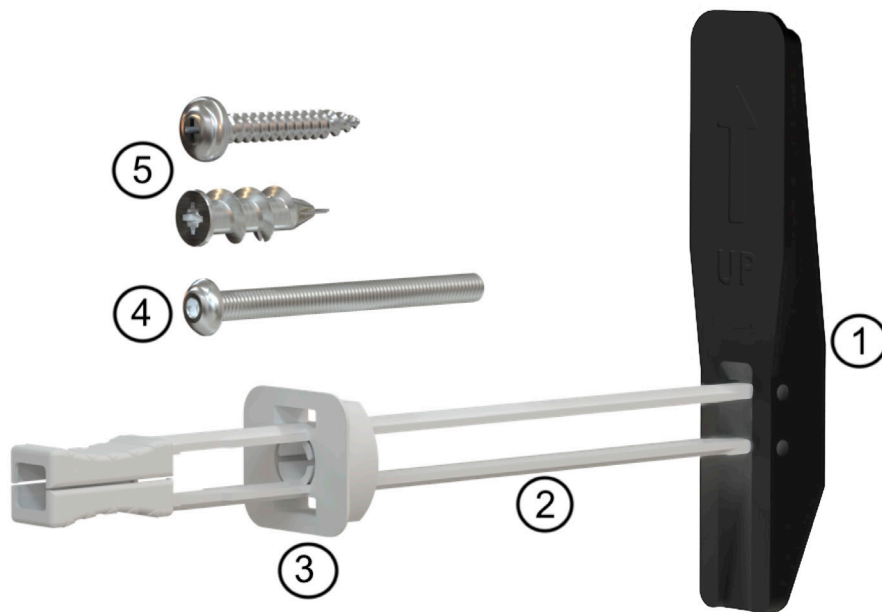


## EZAnchor™ KIT for Hollow Wall Mounting

Models: EA101



1. EZAnchor
2. Plastic Rail
3. Plastic Retainer Ring
4. Stainless Steel Long Screw
5. Self Drilling Drywall Anchor with Screw

### Tools Required:

Safety Glasses	Masking tape	1 inch hole saw
Tape Measure	Spirit Level	Phillips Screw Driver
Pencil	Electric Drill	Caulking

### Technical Data:

- Our EZAnchor™ Fastener Kit is designed to allow items to be safely mounted onto hollow structural walls such as drywall, drywall with tile, cement board, fiberglass, onto 3/4 inch thick plywood blocking and into hollow walls.
- Items can be Grab Bars and Accessories, Shelves, TVs, Screens, Picture Frames, Exercise Equipment etc.
- Designed to make a Grab Bar ADA Compliant when mounted with mounting feet on hollow wall or mounting feet on hollow wall and on stud.
- ADA Compliant, including ADA 609.8 Structural Strength.
- Will support up to 500lbs when installed correctly on structurally sound walls.
- Allows Grab Bars and Accessories to be mounted anywhere on walls where you want them.
- Easy Installation: only requires a 1 inch hole.



# INSTALLATION

STEP 1: Prepare and protect your wall:

Find where you want to mount your Grab Bar or Accessory. Put masking tape in this area.

STEP 2: Mark the holes.

Hold the Grab Bar or Accessory in place and mark the top and bottom hole in the mounting plate.

STEP 3: Drill the holes.

In the top hole drill a 1 inch hole. In the bottom hole install the self drilling drywall anchor.

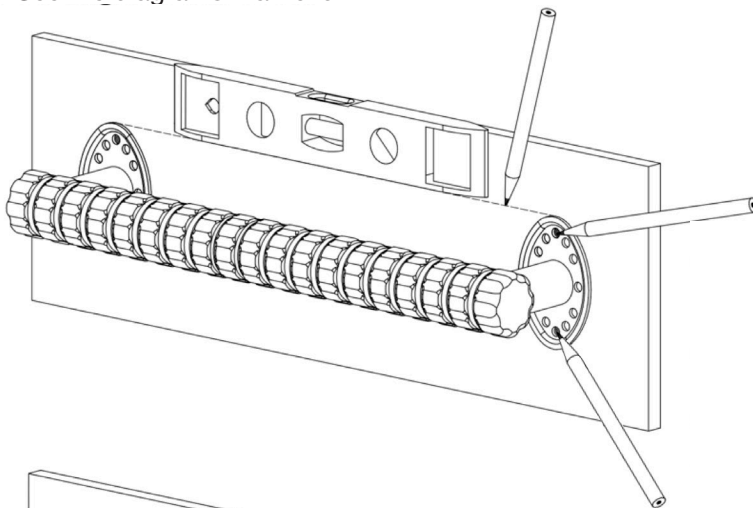
STEP 4: Install the EZAnchor.

Push the EZAnchor through the 1 inch hole with the plastic rails and make sure that the EZAnchor is pointing up as the arrow on it shows. Pull the EZAnchor tight against the back surface of the wall and push the plastic retainer ring tight against the front surface of the wall and snap or cut off the plastic rails.

STEP 5: Mount the Grab Bar or Accessory.

First, to make the connection water tight we suggest that you put a small bead of caulking on the mounting plates. Insert the long screw through the top hole in each mounting plate and tighten firmly. Put the drywall anchor screw through the bottom hole of the mounting plate and tighten. Snap on the plastic mounting feet covers. Your installation is complete.

See the diagrams that follow:

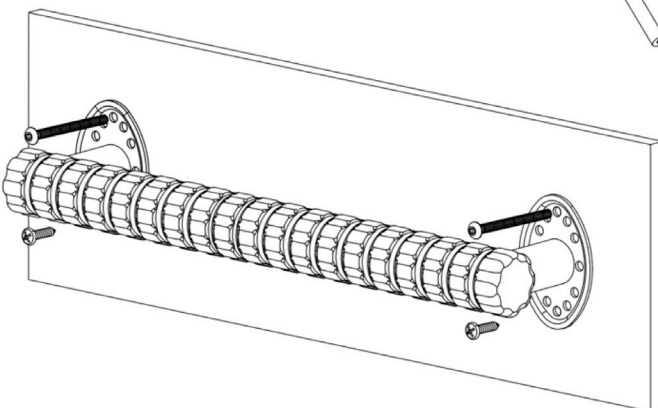


Mark a horizontal line on the masking tape where you want to install the grab bar.

Line the top of the mounting feet with this line.

Mark the top and bottom holes in the mounting feet.

Drill the 1" hole in the top mark and install the self drilling drywall anchor into the bottom mark

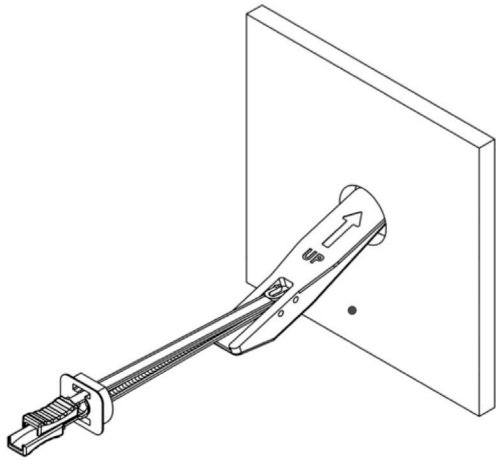


Add a small bead of caulking to each mounting foot.

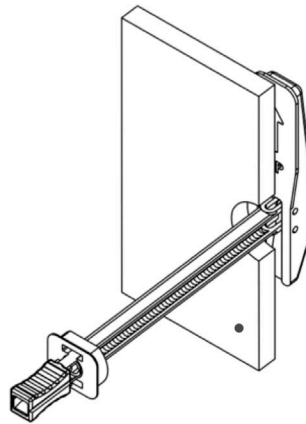
Install the EZAnchors in the top holes, see the diagrams that follow.

Screw the grab bar into the EZAnchor using the long screw and into the drywall anchor with its screw.

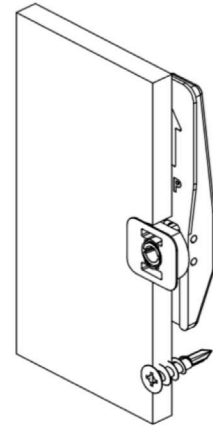
Snap on the grab bar plastic covers.



Drill 1 inch hole and push the EZAnchor through



Pull the EZAnchor tight against wall



Slide the retainer ring tight against the surface.  
Snap or cut the rails.  
Insert the Drywall Anchor

## Warranty

For Warranty details, refer to the Warranty details on the Hartmobility Inc.

Website: [www.hartmobility.com/Warranty](http://www.hartmobility.com/Warranty) or call 1-800-998-0774 ext. 3

## Questions. Comments. Concerns.

Contact Customer Service today.

[info@SafetyGrip.com](mailto:info@SafetyGrip.com)

[www.SafetyGrip.com](http://www.SafetyGrip.com)

[www.Hartmobility.com](http://www.Hartmobility.com)

1(800) 998-0774

Hartmobility Inc.  
424 Williamson-Zebulon Rd.  
Williamson, GA 30292

Hartmobility reserves the right to update and revise our products. Refer to our website for the most up-to-date version of this document.  
Copyright © 2025 Hartmobility Inc. All Rights Reserved.

