

MATTRESS RETAINER for BED SIDE HORIZONTAL HANDRAILS

MR150

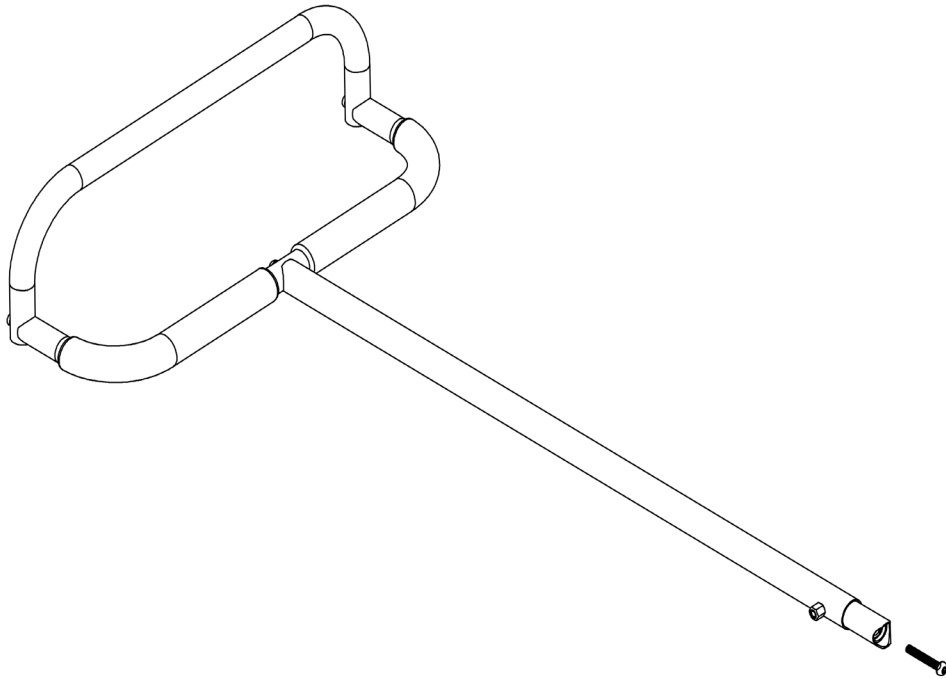


Table of Contents

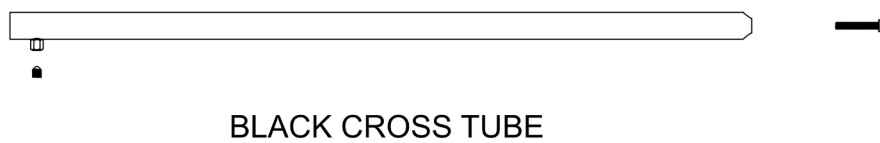
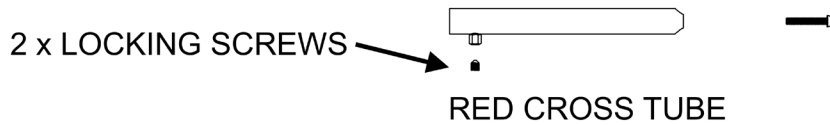
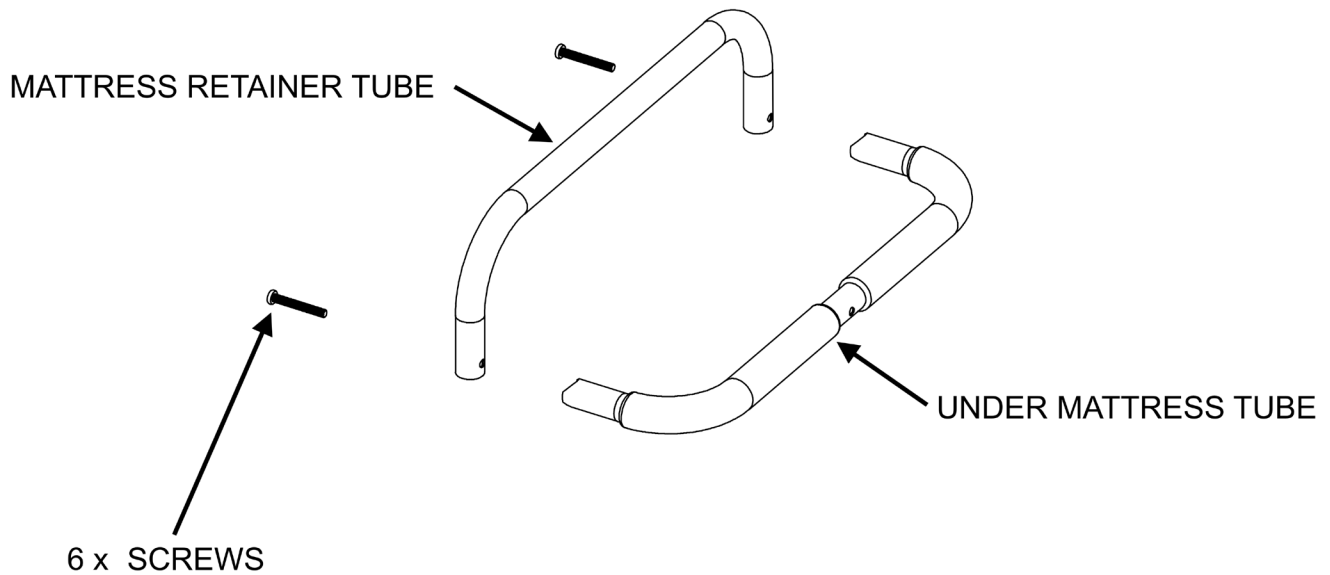
- Warnings and Cautions for APBRs (3 Pages)
- MR150 Installation Instruction (3 Pages)

Specifications:

- Product Name: Mattress Retainer
- Product#: MR150
- Maximum User Weight: 400lbs (180 kg)



KIT CONTENTS



PRODUCT INFORMATION AND SPECIFICATIONS

IMPORTANT: The standard ASTM F3186-17, the Consumers Product Safety Commission (CPSC) and the FDA all require that there must be no gaps between the Bedrails and the edge of the mattress. This MR150 Mattress Retainer is a patents pending Safety Retaining Product that will join our Bed Side Horizontal Handrails and Mattress Retainer together to securely hold the mattress between them so that there will be no gaps between the Bedrail and the edge of the mattress.

Note: Bedside Horizontal Handrails are generally secured to the bed base and the mattress is placed loosely on top of the bed base. Mattresses can, and will, move on a bed base resulting in gaps between it and the Bedrail and this has been the cause of user entrapment between the Bedrail and the mattress, resulting in injury and deaths.

- Our Mattress Retainers feature the long-lasting protection of embedded antimicrobial AlphaSan® RC5000 silver ions powder for all parts except hardware.

For more details about AlphaSan®: <https://www.milliken.com/en-us/businesses/chemical/product/alphasan>.

- Maximum user weight capacity of the Mattress Retainer is 400lbs (180kg)
- For users over 400 lbs (180kg) see our models SG460HD & SG470HD heavy duty Bed Side Horizontal Handrails with a user capacity of 500 lbs (225kg)

INSTALLATION

STEP 1:

- Assemble the Mattress Retainer Tube to the Under Mattress Tube.
- Assemble the Bedrail. Follow the Assembly Instructions for it.
- Measure how wide your mattress is. The following chart showing bed sizes with mattress dimensions will help you to select the correct cross tubes to use.

BED SIZE	MATTRESS WIDTH	CROSS TUBES
SINGLE	36 inches	Use 1 x BLUE & 1 x RED
TWIN	39 inches	Use 1 x BLUE & 1 x RED
FULL	54 inches	Use 1 x GREEN & 1 x RED
QUEEN	60 inches	Use 1 x GREEN & 1 x BLACK
CALIFORNIA KING	72 inches	Use 1 x GREEN & 1 x BLACK
KING	76 inches	Use 1 x GREEN & 1 x BLACK

- The Cross Tubes have a colored tape ring to help you select and identify each tube.
- Select the two Cross Tubes that you need and discard the other two.

STEP 2:

- Lay the Bed Rail and the Mattress Retainer on the floor.
- Screw the Cross Tubes onto each of the Bed Rail and Mattress Retainer.
- Loosely screw in the locking screw.



STEP 3:

You are now ready to put the assembly onto the bed base, under the mattress. There are two ways to do this:

A:

Telescope the smaller diameter CrossTube into the larger diameter.

Tighten the locking screw with the assembly at the correct width to hold the mattress.

Lift the end of the mattress and slide the assembly under the mattress to the position that you will use it.

B:

- Slide the BedRail with the one Cross Tube under the mattress from the side of the bed that you will use it and slide the Mattress Retainer with the other Cross Tube under the mattress from the other side of the bed. Make sure that the Cross Tubes are telescoped together. Tighten the Locking Screw to hold the assembly at the correct width apart for the mattress.

CAUTION: Take care when you slide the tubes under your mattress that the end of the tube doesn't snag on your mattress and tear or damage the fabric.

INSTALLER NOTE:

- There must always be a gap of at least 13 inches between the closest edge of the BedRail and the headboard, or the footboard if the bed has one

Maintenance

- **VERY IMPORTANT:** It is important to inspect the Product(s) frequently.
- Stop using immediately if damaged or broken, or if parts are missing.
- Stop using immediately if Product(s) shift out of the original installed position and there is a gap between the edge of the mattress and the Bed Rail. Re-adjust immediately so that there is no gap.

Warranty

For Warranty details, refer to the Warranty details on the Hartmobility Inc.

Website: www.hartmobility.com/Warranty or call 1-800-998-0774 ext. 3

Questions. Comments. Concerns.

Contact Customer Service today.

info@SafetyGrip.com

www.SafetyGrip.com

www.Hartmobility.com

1(800) 998-0774

Hartmobility Inc.
424 Williamson-Zebulon Rd.
Williamson, GA 30292



Hartmobility reserves the right to update and revise our products. Refer to our website for the most up-to-date version of this document.

Copyright © 2025 Hartmobility Inc. All Rights Reserved.

