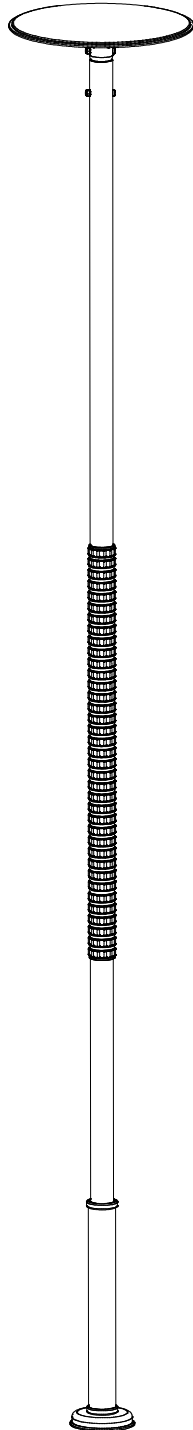


# SafetyGrip® “GO ANYWHERE” GRAB POLE

## SG600 Titan Series



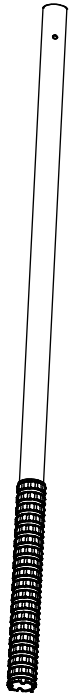
### Table of Contents

- Warnings and Cautions for Poles (2 Pages)
- Additional Warnings And Cautions For Grab Pole Used Against A Bed (2 Pages)
- Entrapment Prevention Information for Poles (2 Pages)
- SG600 Installation Instructions (7 Pages)

### Specifications:

- Product Name: “GO ANYWHERE” GRAB POLE
- Product#: SG600
- Maximum User Weight: 350lbs (160kg)

# KIT CONTENTS



1 TOP POLE TUBE



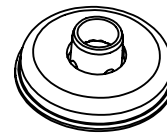
2 BOTTOM POLE TUBE with SCREW 2A



3 FLARED TOP TUBE



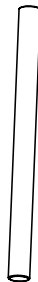
4 CEILING DISC with GASKET



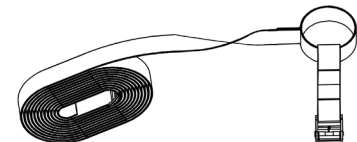
5 FLOOR BASE with GASKET



6 BOTTOM COVER TUBE

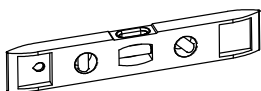


7 CONNECTING TUBE



8 SAFETY RETENTION STRAP KIT (in small carton)

## Tools Included



LEVEL



ADJUSTING BAR



HEX KEY



WRENCH



## Product Information and Specifications

SafetyGrip® Grab Poles feature our patented interlocking SafetyGrip® and the long-lasting protection of embedded antimicrobial AlphaSan® RC5000 silver ions powder for all parts except hardware.

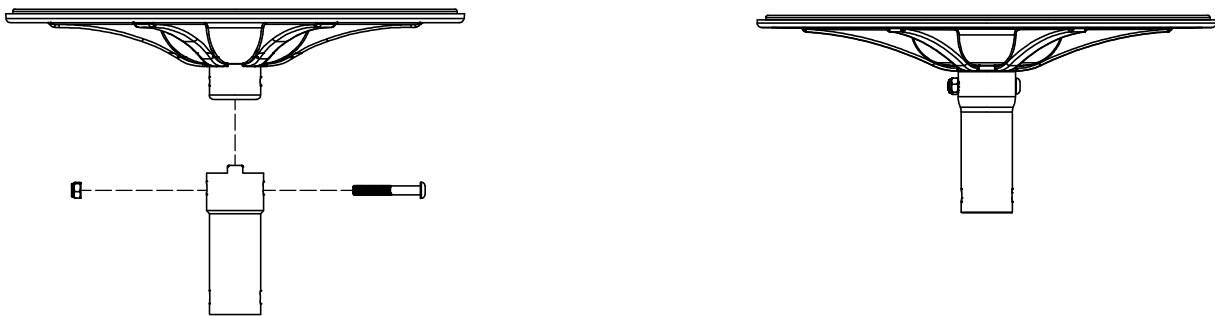
For more details about AlphaSan®: <https://www.milliken.com/en-us/businesses/chemical/product/alphasan>

- This Grab Pole can be installed on either regular drywall ceilings, concrete ceilings, suspended ceilings or membrane ceilings. Starting on Page 3 for regular drywall and concrete ceilings and starting on Page 5 for suspended and membrane ceilings
- This Grab Pole is an assistive balance and mobility product. It is designed to assist with sit-up, reposition, balance, stand or transfer.
- With the addition of our SG603 and SG605 Accessory Kit the Grab Pole offers many exercise and rehabilitation options. The SG603 and SG605 Kits are fully compatible with all resistance bands and resistance straps. Etc.
- Maximum weight capacity of the Grab Pole is 350 lbs (160 kgs) and it is **not designed** to support the full weight of the user.
- For users over 350, lbs our Grab Pole SG650 has a maximum weight capacity of 500 lbs (230 kgs).
- Grab Poles have 6 inches of height adjustment and are designed for installation where the ceiling height is between 7'-9" to 8'-3" (235 -250 cm).
- For higher ceilings use our SG604 Height Adjustment Kit.

## ASSEMBLY & INSTALLATION for REGULAR DRYWALL and CONCRETE CEILINGS

### STEP 1: Assemble the Flared Tube-3 and the Ceiling Disc-4

Take the Flared Tube-3 and the Ceiling Disc-4. Put the Flared Tube onto the Ceiling Disc neck, insert the screw, put on the nut and tighten using the hex key and wrench provided.



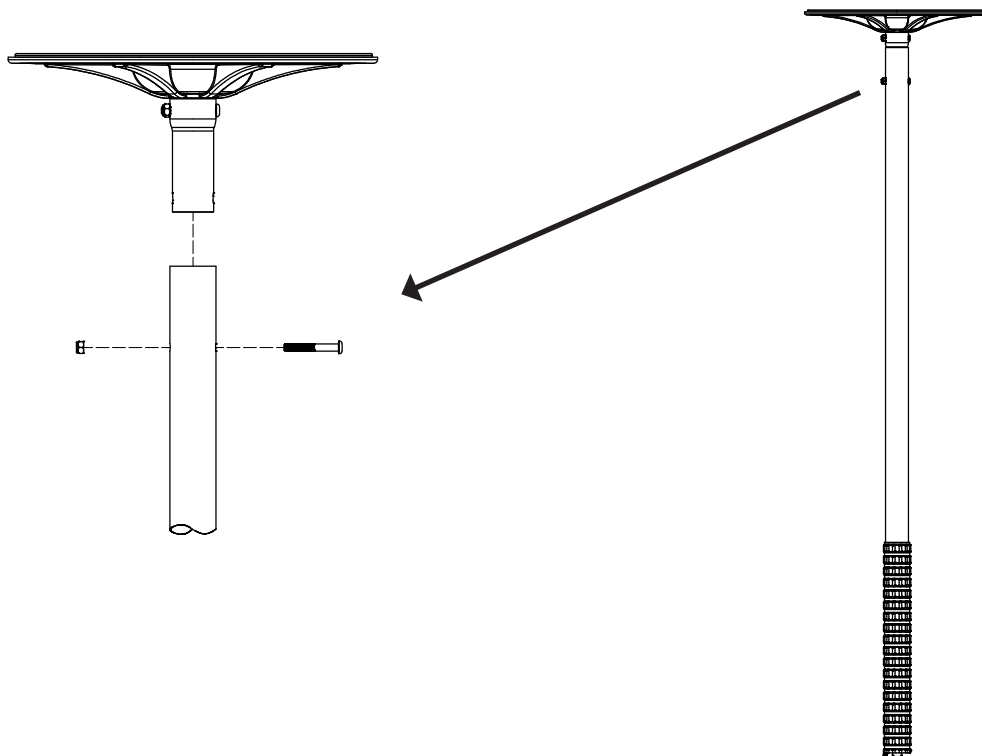
#### Installer Note:

Make sure that the top tabs on the Flared Tube-3 are inserted into the slots in the Ceiling Disc-4.



## STEP 2: Put the Ceiling Disc Assembly onto the Top Pole Tube-1

Put the Ceiling Disc Assembly onto the top of the Top Pole Tube-1, insert the screw, put on the nut and tighten using the hex key and wrench provided.



## IMPORTANT: To use this Grab Pole with a Bed

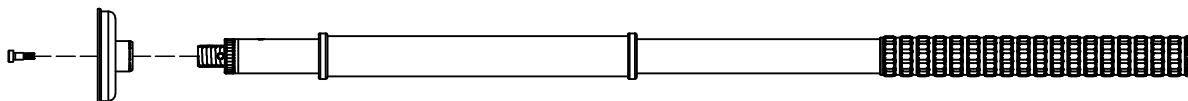
If you are installing this Grab Pole against a bed there is a risk of entrapment between the bed and the Grab Pole should the bed move away from the Pole creating a gap. Please read the Warnings and Cautions and see the Entrapment Prevention Guidelines included with this Pole Kit

You will need to install the Pole Retention Strap; open its carton and follow the Installation Instructions included.

Now is the time to slide the Strap onto the bottom of the Pole..

## STEP 3: Assemble the Floor Base-5 onto the Bottom Pole Tube-2

Take the Floor Base-5; the Bottom Pole Tube-2 and the Bottom Cover Tube-6. First, slide the Cover Tube onto the Bottom Pole Tube. Remove the screw-2A from the bottom of the Bottom Pole Tube-2 . Put the Floor Base-5 onto the Bottom Pole Tube-2, put the screw through the Floor Base and screw it into the Bottom Pole Tube-2 using the hex key provided.

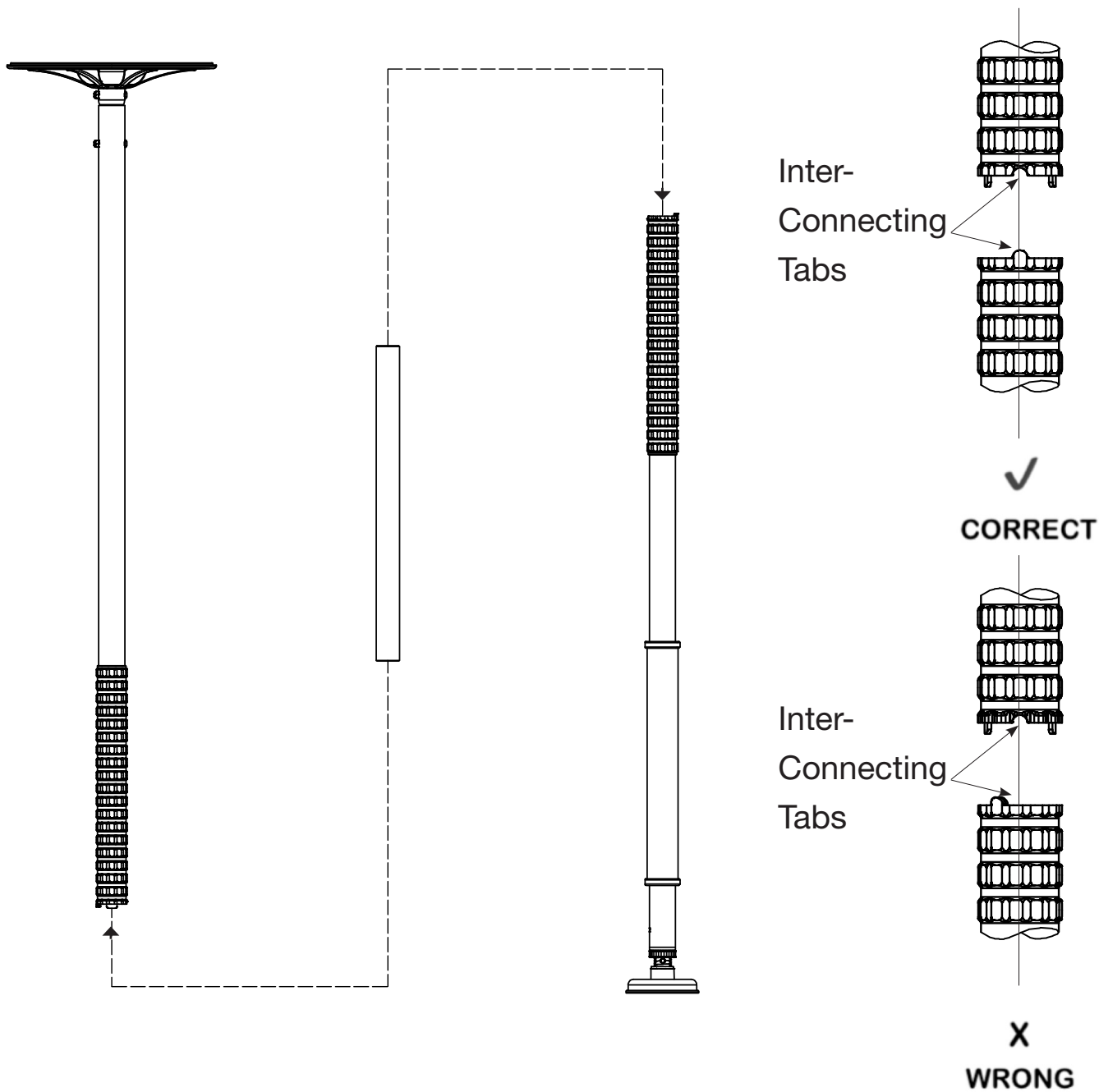


## STEP 4: Join the Top Pole Tube-1 and the Bottom Pole Tube-2

Join the Top Pole Tube-1 and Bottom Pole Tube-2 by inserting the Connection Tube-7 into both.

**INSTALLER CAUTION:** It is important to make sure that the connecting cut-outs between the Poles are lined up and meshed together correctly.

You are now ready to stand your Grab Pole up into the position that you want it.



## ASSEMBLY & INSTALLATION for SUSPENDED and MEMBRANE CEILINGS

### IMPORTANT BEFORE YOU START

Before you start this installation you must be sure that the space above the ceiling is free and clear for the Pole and Ceiling Disc-4 to fit onto the underside of the floor above, and that the floor is structurally strong enough to support this Grab Pole.

### STEP A:

Follow Step 1 through 4 on Page 3~ 5.

### STEP B:

Choose the location where you want the Grab Pole to be positioned. Cut a hole in the ceiling larger enough to fit the Ceiling Disc-4 through.

Push the Grab Pole up through this hole and make sure that the Ceiling Disc-4 is securely seated on the floor structure above.

### STEP C:

Now continue and follow Step 5, 6 and 7.

### STEP D:

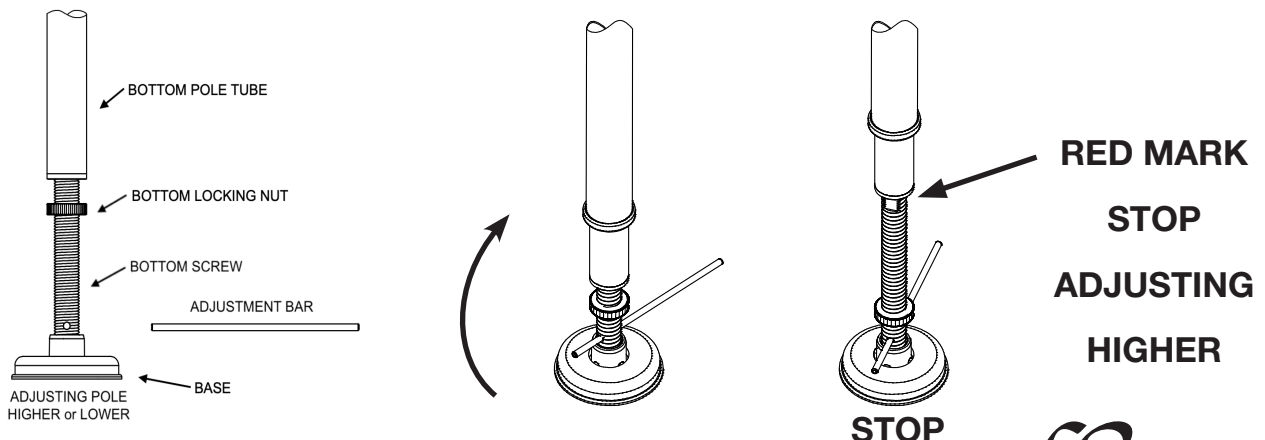
When the Grab Pole installation is finished, repair the ceiling around the Grab Pole and leave a small space around the Grab Pole to allow movement of the Grab Pole when in use.

### STEP 5: Adjust the Height of the Pole to Suit The Ceiling Height

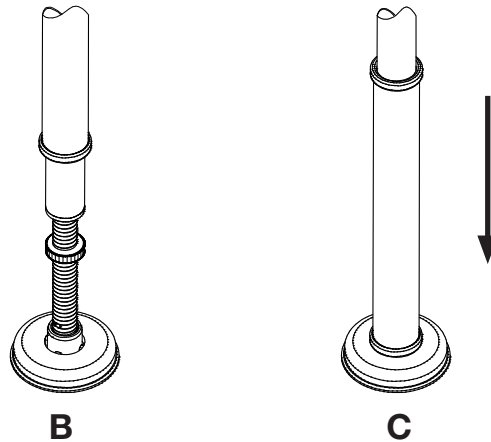
**WARNING:** The Height Adjusting Screw has a cut out on two sides that is marked in Red. When you see the Red do not screw the Pole any higher, you have reached the limit of the Pole's adjustable height. To adjust the Pole above the Red is dangerous and could cause the Pole to fall down, possibly causing death or serious injury.

If you still need to adjust higher you will need our SG604 Height Adjusting Kit.

- A. Insert the Adjusting Bar into the hole at the bottom of the Height Adjusting Screw. Turn the Adjusting Bar clockwise until the Grab Pole Ceiling Disc is secure against the ceiling. **INSTALLER CAUTION:** Do not over-tighten, damage to your ceiling can occur if you do.



- B. Screw the Bottom Locking Nut up against the Pole and tighten it securely against the Pole using Adjusting Bar.
- C. Remove the Adjusting Bar. Put the Pole Bottom Cover Tube into place



### STEP 6: Fixing the Floor Base to the Floor

The Grab Pole base can be fixed permanently onto the floor with two fasteners (Not Supplied). To secure the base with two fasteners you will need to drill two 1/4" diameter holes through the Floor Base-4. The Base gasket has 4 holes in it already. Choose two holes opposite each other and use the gasket as a guide for your drill.

### STEP 7: Final Checks

Ensure the Grab Pole is safe and secure by grasping the Grab Pole mid-height then push and pull vigorously. The Ceiling Disc-4 and Floor Base -5 should not slide or move if the Grab Pole is tensioned correctly. If the Ceiling Disc-4 or Floor Base-5 moves or slips in any way, increase tension on the pole by tightening the screw. Double check that the Grab Pole is still perpendicular. When the Grab Pole is tight and secure, tighten the Locking Nut against the bottom of the Grab Pole Tube. Slide the Bottom Cover Tube-6 down over the screw.

### Maintenance and Cleaning

- **VERY IMPORTANT:** It is important to inspect the Product(s) frequently.
- Stop using immediately if damaged or broken, or if parts are missing.
- Stop using immediately if Product(s) shift out of the original installed position(s) until they are readjusted into the correct position.
- To clean your Grab Pole, use a damp cloth with soap and water or mild household cleaner, wipe clean and dry before using.



Hartmobility reserves the right to update and revise our products. Refer to our website for the most up-to-date version of this document.

Copyright © 2025 Hartmobility Inc. All Rights Reserved.

