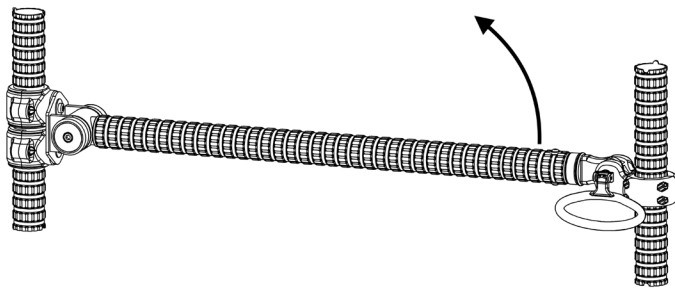


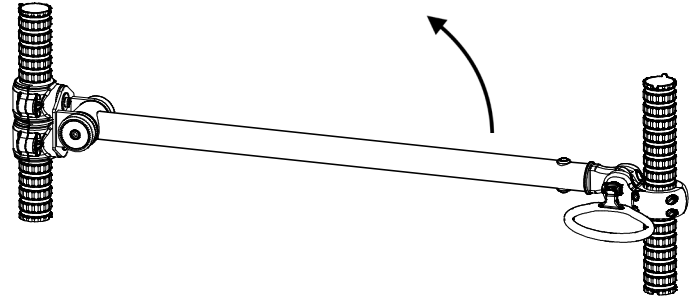
TITAN GATE

SG635 or ER635

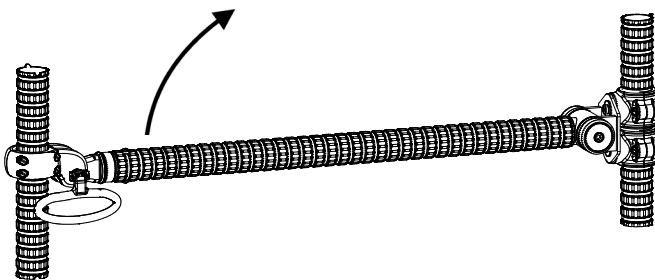


SG635

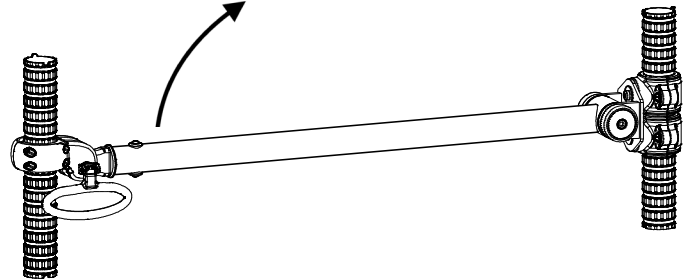
MOUNTED WITH THE HINGE ON THE LEFT



ER635



MOUNTED WITH THE HINGE ON THE RIGHT



Safety Information

⚠ WARNING: FALL HAZARD

Your Titan Gate can be installed on either a Titan Pole, or to a SG675 Bed Standoff as your installation requires. The Link must be securely attached. Failure to do so could result in death or serious injury.

ⓘ Important: If you are unsure that you can install this product securely and correctly, hire a qualified professional.

Tools Required

- Tape Measure
- Pencil

Table of Contents

- Titan Gate Installation Instruction (6 Pages)

Specifications:

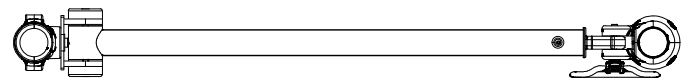
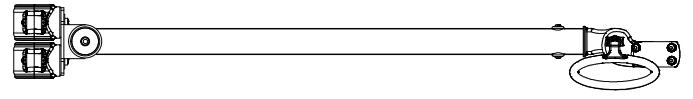
- Product Name: Titan Gate
- Product#: SG635 or ER635
- Maximum User Weight: 350lbs (158kg)



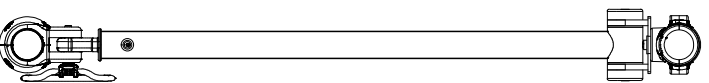
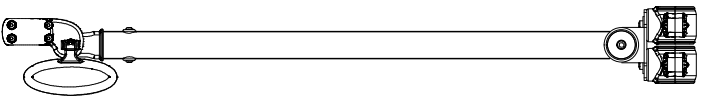
KIT CONTENTS

SG635

ER635

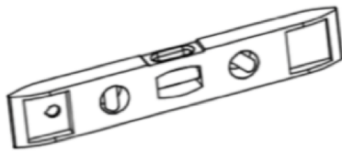


HINGE MOUNTED ON THE LEFT



HINGE MOUNTED ON THE RIGHT

Tools Included



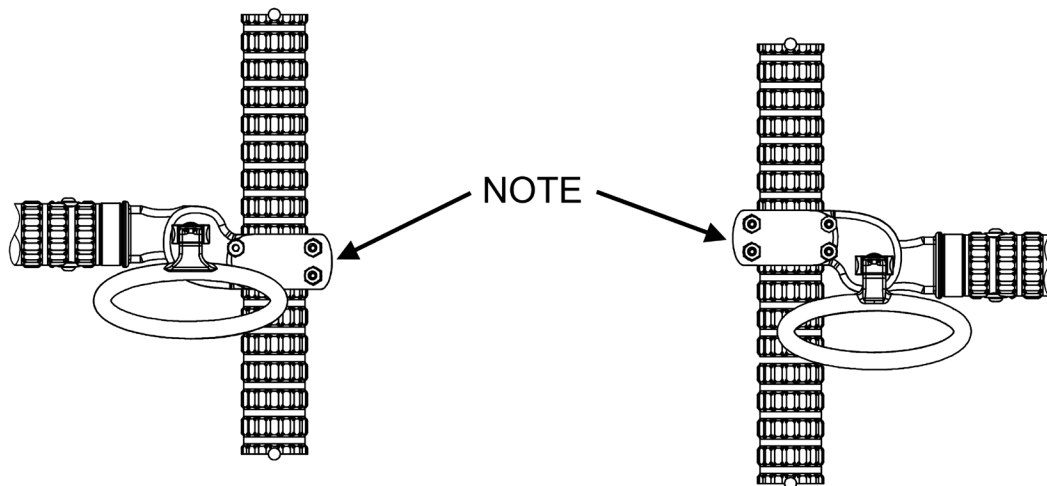
LEVEL



HEX KEY

PRODUCT INFORMATION

- The Titan Gate Assembly is designed to be part of the Titan-Link Handrail System and will assist with exercise, balance, positioning and stability support for persons weighing up to 350lbs (158kg). It is not designed or intended to take the full weight of the user.
- This Titan Gate Assembly Gate assembly comes with our patented Interlocking SafetyGrip®.
- This Titan Gate Assembly is protected with AlphaSan® technology, which provides lasting protection against microbial contamination.
- This Titan Gate Assembly can be mounted with the hinge on the Left or the Right. Follow these Instructions



The Gate Release looks like this for a Left Mounted Hinge

The Gate Release looks like this for a Right Mounted Hinge

INSTALLATION

INSTALLER NOTE: Before you install the Gate become familiar with how the Gate Release works. Turn the Gate Handle 90 degrees and pull it out far enough to release the Gate. You will see that the Gate Release can be installed on either the Right Side or the Left Side of the Handrail. You can choose which side you want during the installation.

STEP 1: Prior To Installation

Before installing the the Titan Gate between two Titan Poles the Titan Poles must be installed.

Follow the **INSTALLATION INSTRUCTIONS** that were provided with these Titan Poles.

Install the Titan Poles **36" (91.5cm) apart (see Illustration 1)**

Before installing the Titan Gate between a SG675 Bed Standoff and a Titan Pole the Titan Pole and the Bed Standoff must be installed first.

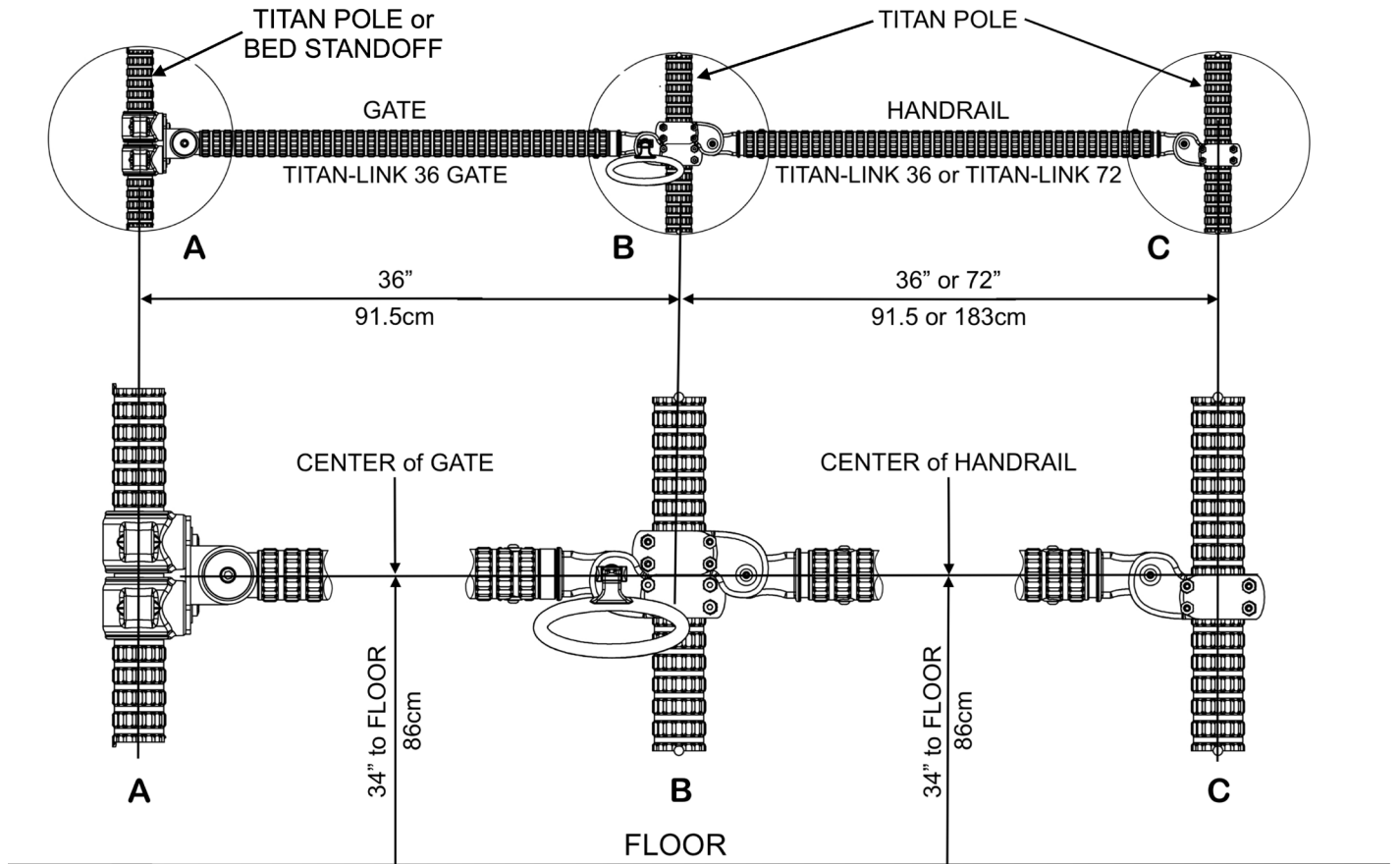
Follow the **INSTALLATION INSTRUCTIONS** that were provided with the Titan Pole and the SG675 Bed Standoff.

Install the Bed Standoff and Titan Pole **36" (91.5cm) apart (see Illustration 1)**



ILLUSTRATION 1

LEFT HINGE MOUNTING SHOWN



STEP 2: Attach the Gate Hinge End Clamps to one of the Poles

Remove the screws and nuts Items 7 & 9 from the Hinge End Clamps Items 5 and 6, and separate the clamps. Use the Hex Key supplied in this Kit. **(see A Exploded View on Page 5)**

If installing the Titan Gate between two Titan Poles:

Install the Gate onto the Pole you want the hinged end to be, reinstall the screws and nuts through the clamps and tighten with the Hex Key.

If installing the Titan Gate between a Bed Standoff and a Titan Pole:

Install the Titan Gate onto either the Bed Standoff or the Titan Pole depending on which one that you want the hinged end to be.

On the other end of the Gate turn the Gate Handle and release the Handrail End Clamps Items 3 & 4. Lift the Gate up out of your way.

Remove the screws and nuts Items 8 & 9 from the clamps Items 3 and 4, and open these clamps. **(see B Exploded View on Page 5)**

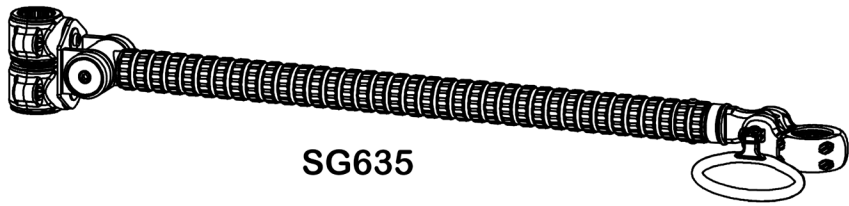
Install these clamps onto the Titan Pole, reinstall the screws and nuts through the clamps and tighten with the Hex Keys.

The center of the Handrail must be 34 inches (86cm) from the ground. Pay special attention to the clamp orientation. **(see Illustration 1)**

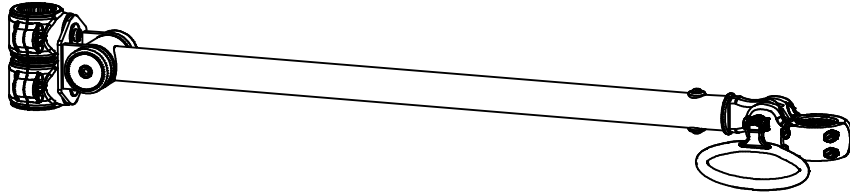
Lower the Gate back to the horizontal position and lock it in position by pushing the Gate Handle back into the clamps and turn 90 degrees.

Your Gate is now ready for use.

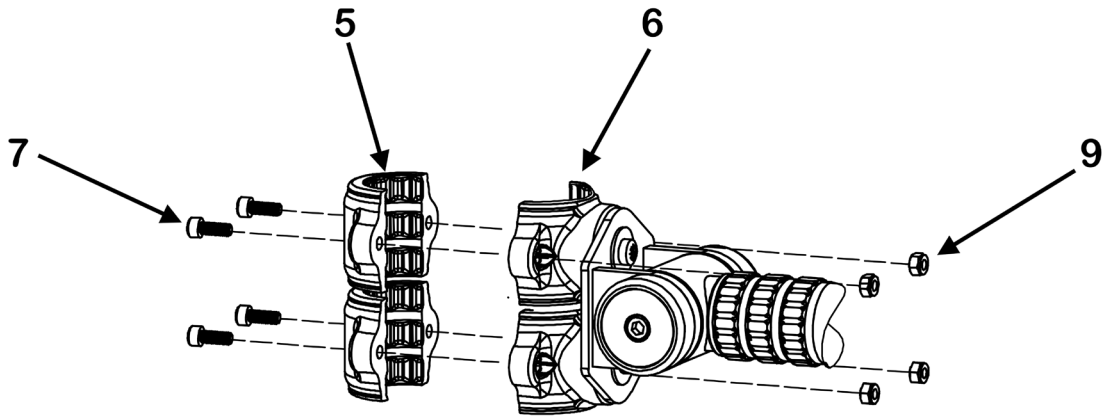




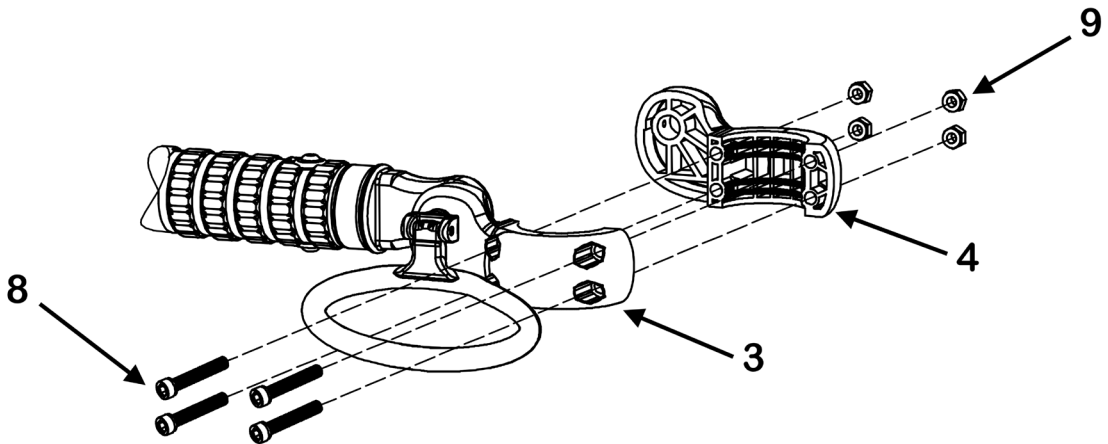
SG635



ER635



A



B

EXPLODED VIEWS of CLAMPS

MAINTENANCE AND CLEANING

- The Handrail can loosen with use The screws in the Gate and Clamps should be checked and tightened as necessary weekly.

Agreement Between Installer/User(s) and Hartmobility Inc.

Neither Hartmobility Inc. nor the Seller of this Product will be Liable for improper installation or use of this Product.

Warranty

For Warranty details, refer to the Warranty details on the Hartmobility Inc.

website: www.hartmobility.com/Warranty or call 1-800-998-0774 ext. 3



Hartmobility reserves the right to update and revise our products. Refer to our website for the most up-to-date version of this document.

Copyright © 2024 Hartmobility Inc. All Rights Reserved.

