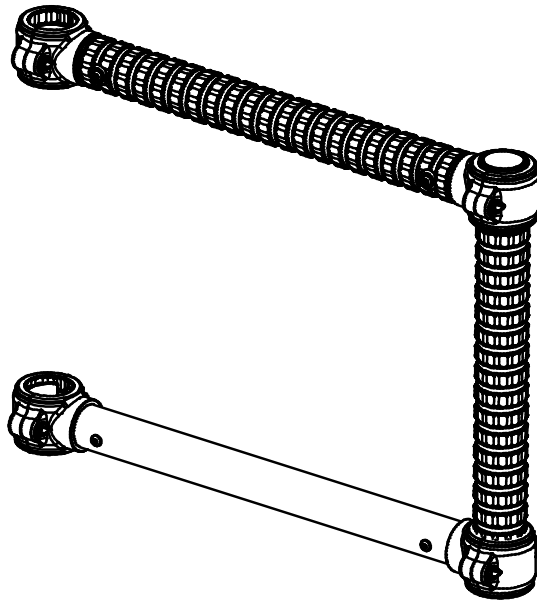


# BED STANDOFF FOR TITAN POLES & TITAN LINKS

## Model SG675



### Safety Information



**WARNING:**

FALL HAZARD: Attach the Standoff Grab Bar securely to the Pole.

Failure to do so could result in death or serious injury.



**Important:** If you are unsure that you can install this product securely and correctly, hire a qualified professional.

### Table of Contents

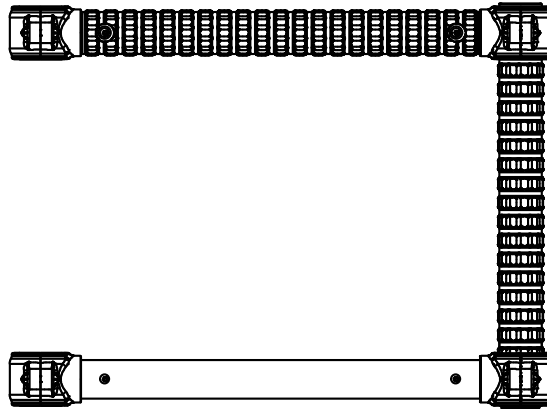
- SG675 Installation Instruction (4 Pages)

### Specifications:

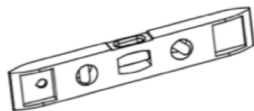
- Product Name: Titan Link Standoff Grab Bar
- Product#: SG675
- Maximum User Weight: 350lbs (158kg)



# KIT CONTENTS



## Tools Included



LEVEL



HEX KEY

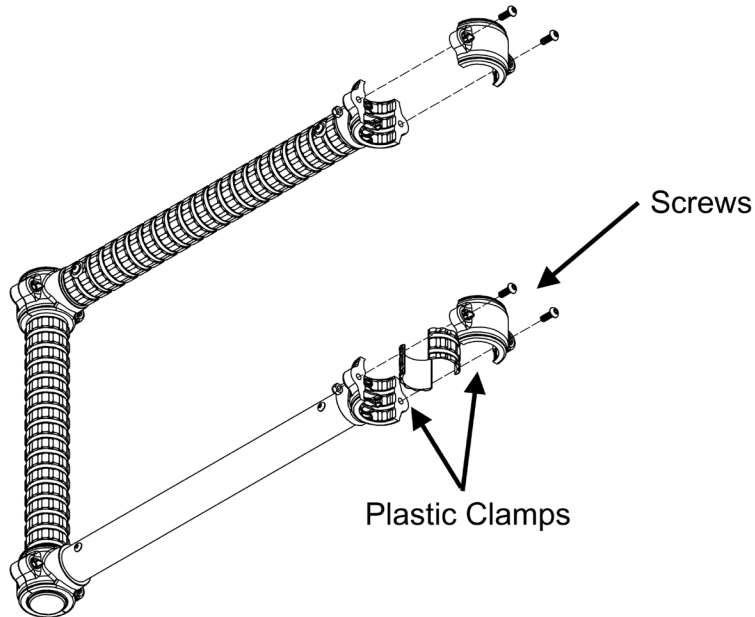
## PRODUCT INFORMATION

- SG675 Bed Standoff features our patented interlocking SafetyGrip® and the long-lasting protection of embedded antimicrobial AlphaSan® RC5000 silver ions powder for all parts except hardware. For more details about AlphaSan®: <https://www.milliken.com/en-us/businesses/chemical/product/alphasan>
- SG675 Bed Standoff is designed to assist with sit-up, reposition, balance, stand, or transfer. **It is not designed or intended to take the full weight of the user.**

# INSTALLATION

## STEP 1:

Unscrew the screws using the hex key provided. This will release the plastic clamps.



## STEP 2:

Position the Standoff against the Titan Pole at 90 degrees to the bed. The top tube of the Standoff should be 42 inches from the floor. **See page 4**

Insert the screws and nuts back into the clamps and tighten securely

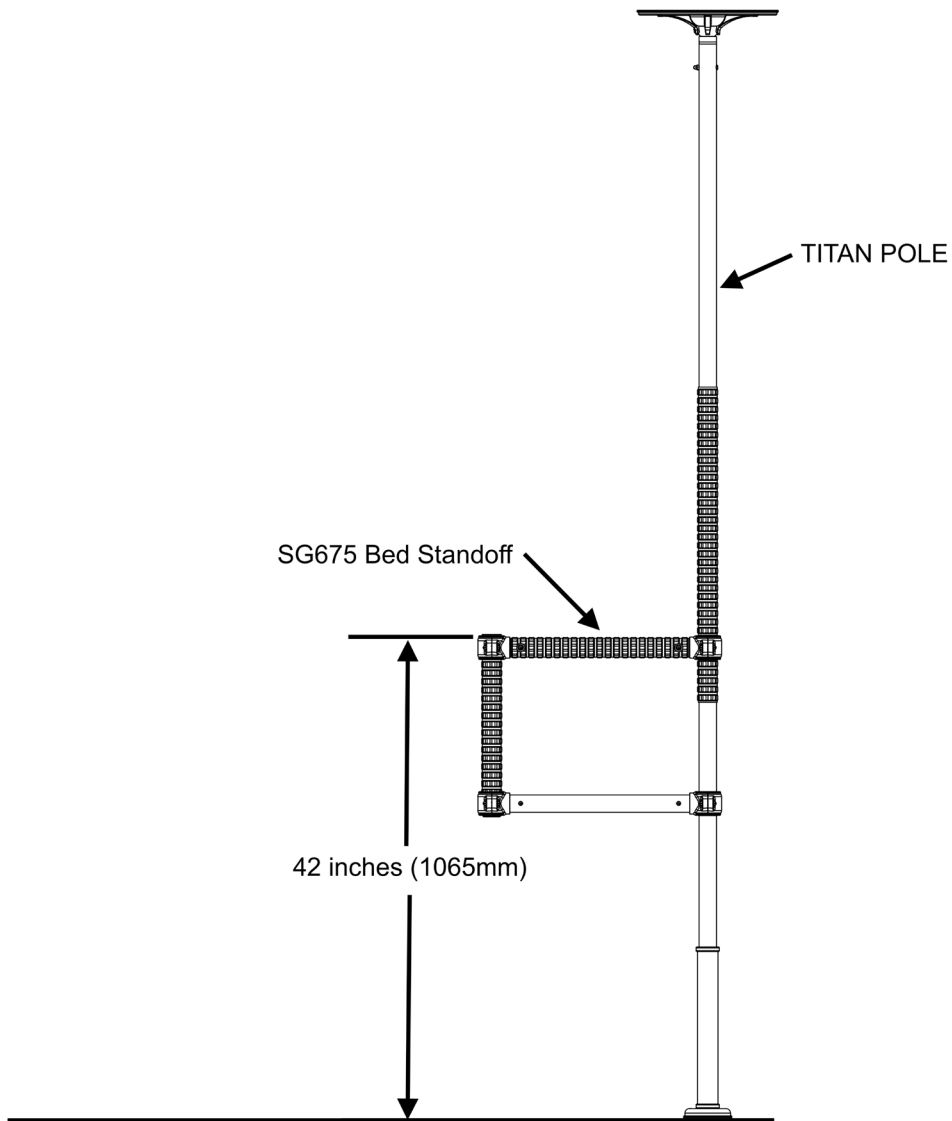
### INSTALLER NOTE:

If the Standoff is not 90 degrees to the bed you can loosen the pole and rotate it until the Standoff is 90 degrees to the bed.

# MAINTENANCE AND CLEANING

- **VERY IMPORTANT:** It is important to inspect the Product(s) frequently.
- Stop using immediately if damaged or broken, or if parts are missing.
- Stop using immediately if Product(s) shift out of the original installed position(s) until they are readjusted into the correct position.
- To clean your Bed Standoff, use a damp cloth with soap and water or mild household cleaner, wipe clean and dry before using.





### Agreement Between Installer/User(s) and Hartmobility Inc.

Neither Hartmobility Inc. nor the Seller of this Product will be Liable for improper installation or use of this Product.

### Warranty

For Warranty details, refer to the Warranty details on the Hartmobility Inc.

website: [www.hartmobility.com/Warranty](http://www.hartmobility.com/Warranty) or call 1-800-998-0774 ext. 3



Hartmobility reserves the right to update and revise our products. Refer to our website for the most up-to-date version of this document.

