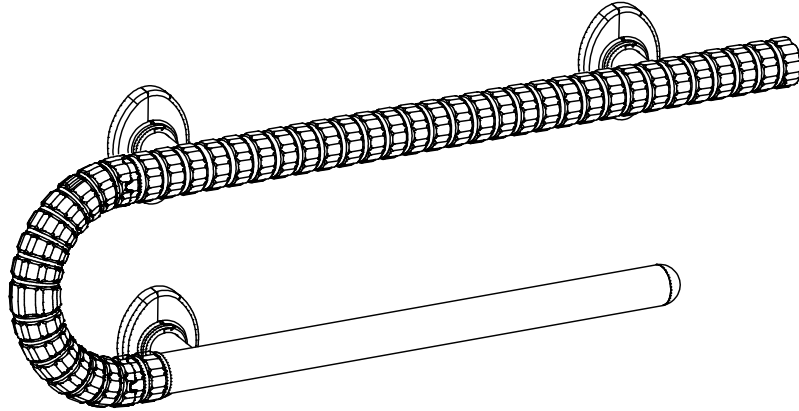
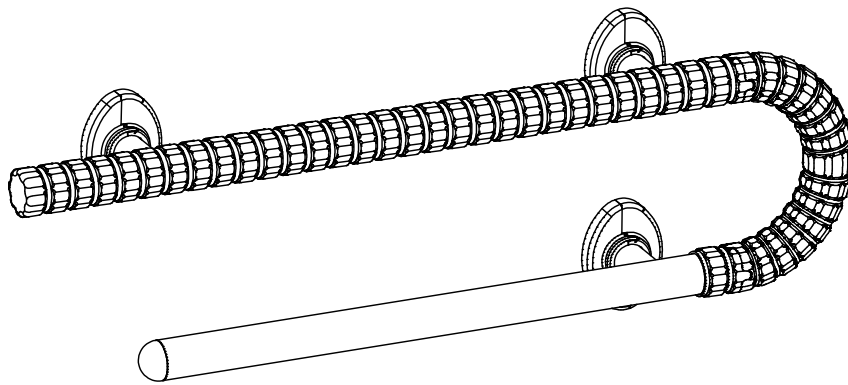


SafetyGrip® Grab Bar with Towel Bar

SG726TR



SG726TRL



SG726TRR

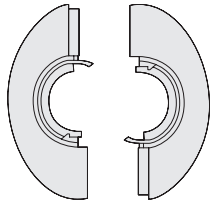
Table of Contents

- Warnings and Cautions for Grab Bars (1 Page)
- SG726TR Grab Bars Installation Instructions (5 Pages)

Specifications:

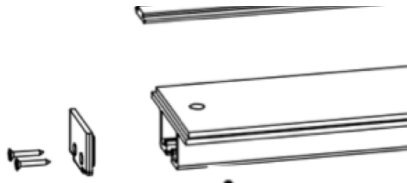
- Product Name: SafetyGrip® Grab Bars with Towel Bar
- Product#: SG726TR

Kit Contents



Mounting Plate Covers

2 of each for each Mounting Plate



10 Wood Screws



Hex Key

Fasteners for Steel Studs or Drywall Fasteners are Not supplied in this kit.

Tools Required

- Stud Finder
- Safety Glasses
- Power Drill
- Tape Measure
- 1/8 inch drill bit for pilot holes for the wood screws
- Philips screw driver
- Pencil

TECHNICAL DATA

Safety and pleasing designs to enhance your bathroom décor, and will increase your safety in your home.

- All Hartmobility SafetyGrip® Grab Bars are ADA Compliant and will support up to 500 lbs when installed correctly onto structurally sound walls.
- Hartmobility® Grab Bars are designed and manufactured to comply with the accessibility and safety requirements set forth in:
 - * ANSI A117.1-2017 - Accessible and Usable Buildings and Facilities.
 - * ASTM F446-85 - Grab Bars and Accessories Installed in the Bathing Area.
- They feature our patented interlocking SafetyGrip® for the safest available grip.
- They come with the long-lasting protection of embedded antimicrobial AlphaSan® RC5000 silver ions powder for all parts. For more details about AlphaSan®: <https://www.milliken.com/en-us/businesses/chemical/product/alphasan>
- SG700 series are Rustproof made from Stainless Steel, including all hardware.
- SafetyGrip® Grab Bars are assistive products that may be permanently affixed to any structurally sound flat surface. Suitable for use anywhere that a Grab Bar is needed, they come in a variety of lengths and styles.
- They are equipped with oval-shaped mounting plates that allow them to be installed horizontally, vertically, or at any angle.
- To assist installers, Hartmobility® offers a complete range of SafetyGrip® Grab Bar products and fasteners, including our Hartmobility EZAnchor™ System for use on hollow walls, where the wall studs are not suitably spaced, and our Hartmobility EZMount™ System for mounting onto fiberglass shower inserts and fiberglass bath tub surrounds. Follow the Installation Instruction that come with these products.



WARNING: FALL HAZARD. Attach the grab bar securely to the wall. Failure to do so could result in death or serious injury.

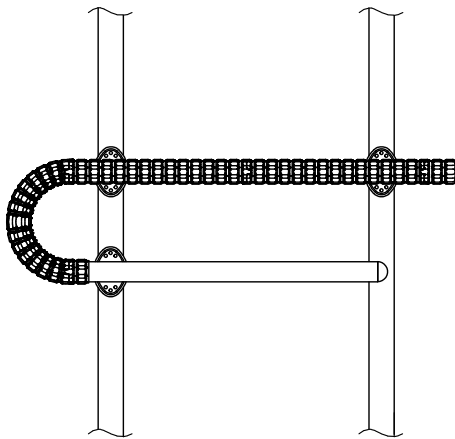
INSTALLATION

STEP 1: Locate Any Wall Studs Where You Want To Mount The Grab Bar

- First put on Safety glasses. Locate the wall studs.
- Locate and mark the studs. You can rotate the mounting plates to align with the wall studs. Slightly loosen the screw that holds the mounting plate, rotate as needed and re-tighten the screw.
- When the studs are not where you want your Grab Bar you will need to do either:
 - a. Use the correct fasteners - our optional hollow wall EZAnchor™ fasteners, including hardware Kit. When using our EZAnchors™ Kit, follow the Installation Instructions that comes with it.
 - b. Use blocking
- Some examples of Grab Bar mounting follows:

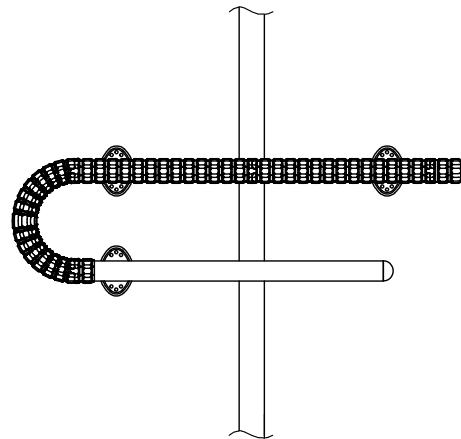
MOUNTING PLATES ON STUDS

Two #10 wood screws per mounting plate



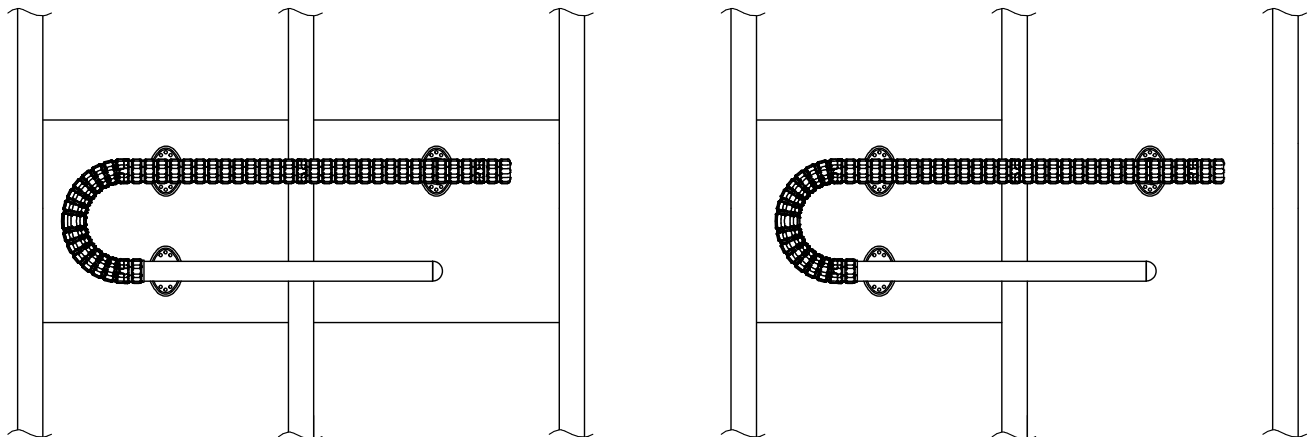
MOUNTING PLATES ON HOLLOW WALL

Two #10 wood screws on studs and one EZAnchor™ on each hollow wall



MOUNTING PLATES ON BLOCKING

Two #10 wood screws per mounting plate

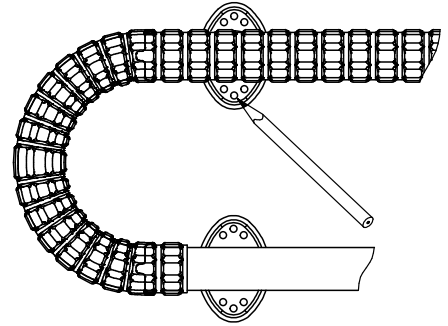




STEP 2: Drill Holes

- Line up the Grab Bar Mounting plates on the wall.
- Mark the holes in the Mounting Feet & Drill pilot holes.

⚠ WARNING: ELECTRICAL SHOCK HAZARD. When drilling into walls, always ensure that you avoid all electrical wires, cables, ducts, pipes and/or plumbing. Failure to do so could result in death, serious injury, or property damage.



STEP 3: Install Grab Bar

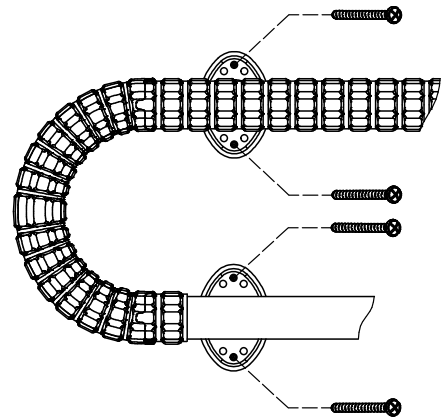
- Screw or fasten the Grab Bar to the wall.

Fasteners for Wooden Studs: Use two (2) wood screws per stud, supplied in this kit.

Fasteners for Steel Studs: Use at least two (2) suitable fasteners per wall stud, not supplied in this kit. Use high quality strong fasteners with a 1/4-inch (6 mm) fastener screw diameter. Toggle bolts are a good option.

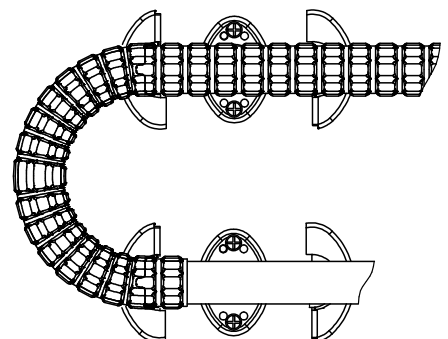
Fasteners for No Studs: If wall studs are not suitably placed, See Step 1.

INSTALLER NOTE: When use in wet areas, to ensure water does not seep into the holes you drilled, put silicone caulking onto the back of the mounting plate before you screw the grab bar to the wall.



STEP 4: Install Mounting Plate Cover

- Snap the mounting plate covers onto the mounting plate.



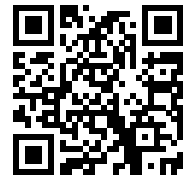
MAINTENANCE AND CLEANING

- **VERY IMPORTANT:** It is important to inspect the Product(s) frequently.
- Stop using immediately if damaged or broken, or if parts are missing.
- Stop using immediately if Product(s) shift out of the original installed position(s) until they are readjusted into the correct position.
- To clean your SafetyGrip Grab Bar, use a damp cloth with soap and water or mild household cleaner, wipe clean and dry before using.

Warranty

For Warranty details, refer to the Warranty details on the Hartmobility Inc.

Website: www.hartmobility.com/Warranty or call 1-800-998-0774 ext. 3



Questions. Comments. Concerns.

Contact Customer Service today.

info@Safetygrip.com

www.Safetygrip.com

www.Hartmobility.com

1(800) 998-0774

Hartmobility Inc.
424 Williamson-Zebulon Rd.
Williamson, GA 30292

Hartmobility reserves the right to update and revise our products. Refer to our website for the most up-to-date version of this document.

Copyright © 2025 Hartmobility Inc. All Rights Reserved.

