

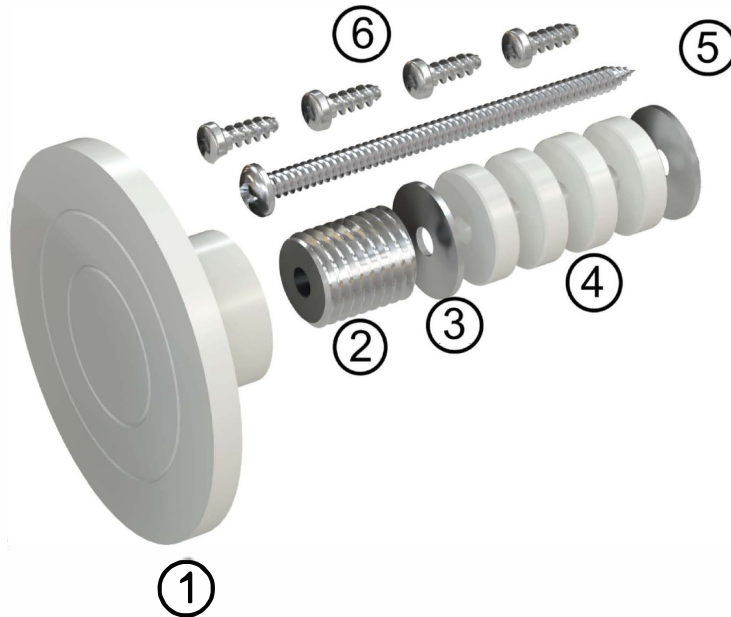
EZMount™ Installation Instructions

EZMount™ KIT for Hollow Wall Mounting onto Shower & Bathtub FiberGlass Inserts

Models:

EM100W - EZMount White Kit

EM100B - EZMount Black Kit



1. Mounting Bracket with Threaded Insert
2. Stainless Steel Threaded Spacer
3. Stainless Steel Washers
4. Plastic Spacers
5. Retaining Screw
6. Stainless Steel Self Tapping Screws

**The EM100W - White is shown.
For the EM100B - Black Part is Black**

Tools Required:

Safety Glasses	Stud Finder	1/8 inch Drill Bit
Tape Measure	Spirit Level	7/16 inch Socket
Pencil	Electric Drill	Phillips Screw Driver
Masking tape	1-1/2 inch Hole Saw	Caulking

Technical Data:

EZMount Kit is designed to allow Grab Bars to be safely mounted onto Fiberglass and Acrylic Shower and Bath Tub enclosures

ADA Compliant

Rustproof: all parts are plastic or stainless steel including hardware



INSTALLATION

STEP1: Locate & Mark the Studs

Using the stud finder locate and mark the studs.

Put masking tape horizontally on the top of shower or bath enclosure where the top horizontal stud is.

Using the spirit level mark lines vertically down from the center of the studs located on the top of the shower or bath enclosure. These marks are where your studs are.

Put masking tape down from the studs past the height of where you want to mount your Grab Bar.

STEP 2: Mark where you want to mount your Grab Bar

Hold the grab bar where you want to mount it. Mark the top and bottom holes of the grab bar mounting feet onto the masking tape.

Measure and mark the center point between these holes.

STEP 3: Drill the enclosure

Drill a 1/8 inch hole just through the enclosure where you have marked the center point.

Poke a wire through this hole and move it to each side to be sure that the studs were installed vertical.

This hole should be at the center of the stud. This hole can be off center by a 1/4" tolerance either way.

If this hole is within tolerance drill the 1-1/2 inch hole through the enclosure and continue until the hole saw pilot drill marks the stud.

INSTALLER NOTE:

If your 1/8 inch hole is off the center of the stud by more than a 1/4 inch you will need to drill another hole that is on the center of the stud. Use this hole to locate your 1-1/2 inch hole.

STEP 4: Drill the pilot hole in the stud.

Using the mark the hole saw pilot drill made drill the pilot hole into the stud using the 1/8 inch drill bit.

STEP 5: Measure the cavity depth and prepare the EZMount screw assembly ready for Installation.

Measure the distance from the stud to the back surface of the enclosure.

Using the chart that follows prepare the screw assembly ready to mount onto the stud.

STEP 6: Assemble the EZMount screw assembly ready to mount to the stud.

Assemble the EzMount retaining screw assembly as shown in the diagram.

STEP 7: Screw the EZMount screw assembly securely into the stud.

STEP 8: Screw the Mounting Bracket onto the EZMount retaining screw assembly.

First, we suggest that you put a small bead of silicone caulking onto where the mounting bracket will contact the enclosure surface. This will ensure a water tight assembly.

Screw the mounting bracket onto the retaining screw assembly already mounted into the stud.

Tighten this mounting bracket until it is against the surface of the enclosure.

INSTALLER NOTE:

If you are mounting the other end of the grab bar into a stud - repeat the above steps for this stud.

If the other end of your grab bar is not on a stud then you must use a suitable Hollow Wall Anchor.

Our Model EA101 EZAnchor™ Kit is designed for Hollow Wall mounting and will allow you to mount securely.

STEP 9: Mount the Grab Bar.

Hold the Grab Bar so that the mounting plate on the Grab Bar is located on the center of the Mounting Bracket. Mark the hole at the top of the mounting plate.

Drill a 1/8 inch hole through this mark.

Using the screws provided screw one screw through the grab bar mounting plate into the Mounting Bracket and through the enclosure. Install the screw by hand using the phillips screw driver to prevent over tightening and damage to the enclosure.

Repeat this for the other end of the grab bar mounting plate.

INSTALLER NOTE:

If the other end of the grab bar is not on a stud follow the Installation Instructions that comes with the model EA101 EZAnchor™ Kit.

STEP 10: Finish Mounting the Grab Bar.

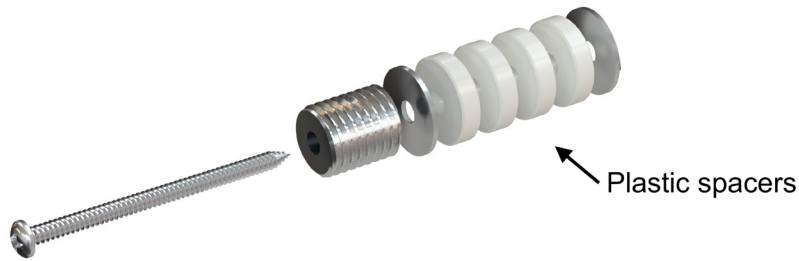
Drill 3 more 1/8 inch holes spaced around the mounting plates and through the Mounting Bracket and enclosure.

Install the self tapping screws by hand.

Install the mounting plate covers onto the mounting feet of the grab bar.

Your installation is complete.

ASSEMBLY OF RETAINING SCREW



Choose the number of plastic spacers required for your installation. See the chart below.

SPACER CHART



1-15/16" to 2" - use 4 spacers



1-11/16" to 1-7/8" - use 3 spacers



1-7/16" to 1-5/8" - use 2 spacers



1-3/16" to 1-3/8" - use 1 spacer



7/8" to 1-1/8" - no spacers

Warranty

For Warranty details, refer to the Warranty details on the Hartmobility Inc.

Website: www.hartmobility.com/Warranty or call 1-800-998-0774 ext. 3



Questions. Comments. Concerns.

Contact Customer Service today.

info@SafetyGrip.com

www.SafetyGrip.com

www.Hartmobility.com

1(800) 998-0774

Hartmobility Inc.
424 Williamson-Zebulon Rd.
Williamson, GA 30292

Hartmobility reserves the right to update and revise our products. Refer to our website for the most up-to-date version of this document.

Copyright © 2025 Hartmobility Inc. All Rights Reserved.

