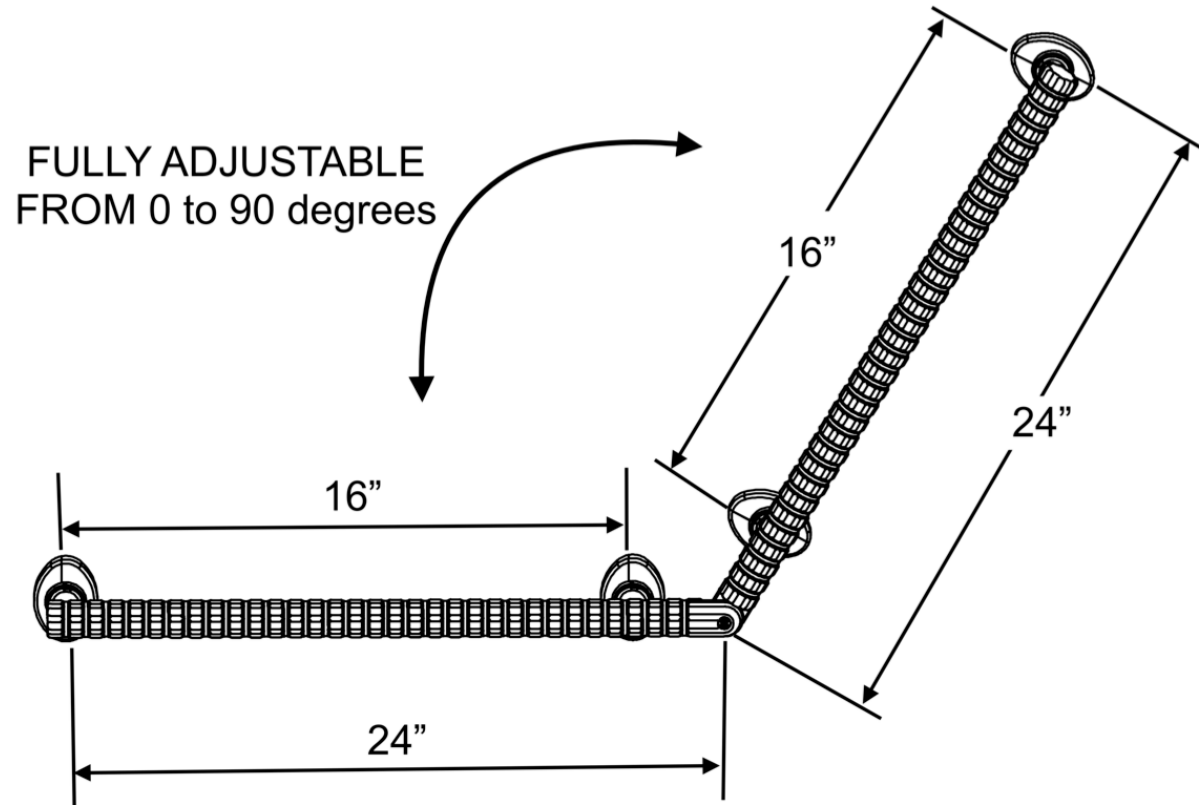




SG750 SafetyGrip[®] ANGLE ADJUSTABLE GRAB BAR

Page 1 of 2



ADA COMPLIANT

WEIGHT CAPACITY:

500 lbs when installed on structurally sound walls, and on studs and/or blocking.

350 lbs when installed on structurally sound walls using hollow wall anchors.

Hartmobility manufactures and sell the Model EA101 EZAnchor[™] Hollow Wall Anchor Kit.

2026.02.24

Page 2 of 2



SG726TRW - WHITE



SG726TRB - BLACK